

Storm[®]
FLEETWOOD RV

2004

©2003 by Fleetwood Enterprises, Inc. All rights reserved. No part of this publication may be reproduced or transmitted in any form or by any means, electronic or mechanical, including photocopying, recording, or by any information storage or retrieval system without written permission from Fleetwood Enterprises, Inc.

Manufacturing subsidiaries of Fleetwood Enterprises, Inc. build the following motor homes, travel trailers and truck campers:
Pace Arrow • Southwind • Storm • Bounder • Bounder Diesel • Discovery • Excursion • Providence • Flair • Fiesta • Terra • Tioga
Jamboree • American Eagle • American Heritage • American Tradition • Expedition • Revolution • Pioneer • Prowler • Terry
Wilderness • Mallard • Pride • Triumph • Elkhorn



TABLE OF CONTENTS

WARRANTY01-1	<i>Air Pressure</i>05-8
Coverage Provided01-1	<i>Underinflation</i>05-8
Owner's Obligations01-1	<i>Air Pressure Check</i>05-8
Dealer's Obligations01-1	<i>Tire Replacement</i>05-9
When the Dealer Does Not		<i>If You Get a Flat Tire</i>05-9
Resolve the Problem01-1	<i>Changing a Flat Tire</i>05-9
Manufacturer's Obligations01-1	Seats, Seat Belts and Air Bags	
What is Not Covered by This Warranty	.01-2	(If Equipped)05-9
IMPORTANT NOTICES02-1	<i>Air Bag Supplemental Restraint</i>	
STORM INFORMATION03-1	System (SRS)05-10
Lamps and Bulbs03-1	<i>Combination Lap and Shoulder Belts</i> ..	.05-10
Driver's Control03-2	<i>Safety Belt Maintenance</i>05-10
INTRODUCTION04-1	<i>Safety Restraints for Children</i>05-10
Warranties04-2	<i>Safety Belts for Children</i>05-11
Warranty Service04-3	<i>Child Seat Tethers</i>05-11
Reporting Safety Defects04-3	Driving and Vehicle Control05-12
Inspect and Maintain04-4	<i>Using the Engine to Slow the</i>	
Planning and Preparation04-4	Motor Home05-12
Owner's Information Package04-4	Maneuvering in Traffic05-12
Chassis and Vehicle Identification04-4	Rear View Video Monitor (If Equipped) ..	.05-13
Suspension Alignment and Tire Balance	.04-4	Body Undercoating05-14
<i>After-Market Steering Aid Devices</i>04-5	Fuel and Fuel Systems05-14
Warnings, Terms and Concepts for		<i>Safe Refueling Guidelines</i>05-14
Safe Operation of Your Motor Home	.04-6	<i>Fuel Types and Driveability Issues</i>05-15
ON THE ROAD05-1	API Refueling Advisory05-15
Motor Home Loading05-1	Engine Fan05-15
<i>Responsibility for Proper Loading</i>05-1	Exhaust System Heat05-16
<i>Some Definitions First</i>05-1	Engine Temperature Gauges05-16
<i>Towing a Vehicle or Trailer</i>05-2	Carbon Monoxide Safety Precautions05-16
<i>Cargo Carrying Capacity Label</i>05-3	<i>Carbon Monoxide Detector/Alarm</i>05-16
<i>Cargo Carrying Capacity and Load</i>		Emergency Towing05-17
Distribution05-4	LIVING WITH YOUR MOTOR HOME ..	.06-1
<i>How to Weigh Your Loaded Motor Home</i> ..	.05-4	Hydraulic Leveling System (If Equipped)	.06-1
<i>Dangers of Overloading</i>05-6	Electric Leveling System (If Equipped)	.06-1
<i>Loading Tips</i>05-6	Power Entry Step (If Equipped)	.06-1
Tires05-7	Entry and Screen Doors06-1
<i>Tire Inflation</i>05-7	Patio Awning (If Equipped)06-2
		Windows06-2
		<i>Emergency Exit Window(s)</i>06-2

Table of Contents

Remote Mirror Control (If Equipped)06-2	<i>Exterior Shower (If Equipped)</i>07-4
Sun Visors06-2	<i>Drinking Water Filter System</i>	
Window Shades (If Equipped)06-2	<i>(If Equipped)</i>07-4
<i>Day/Night Shades (If Equipped)</i>06-3	Waste Water System07-4
Mini-Blinds06-3	<i>Toilet</i>07-4
Storage06-3	<i>Draining the Holding Tanks</i>07-4
<i>Exterior Compartments</i>06-3	<i>Black Tank Flush System (If Equipped)</i>07-6
<i>Interior Storage</i>06-4	<i>Holding Tank Care</i>07-6
Slide-Out Rooms (If Equipped)06-4	<i>Cold Weather Usage</i>07-7
Interior and Furnishings06-4	ELECTRICAL SYSTEMS08-1
<i>Dinette Conversion (with Built-in Table)</i>06-4	Chassis 12-Volt Electrical System08-1
<i>Dinette Conversion</i>		<i>Chassis Bulbs and Fuses</i>08-1
<i>(with Free-Standing Table)</i>06-5	Fleetwood 12-Volt House and Automotive	
<i>Sofa Conversion (If Equipped)</i>06-5	System08-1
<i>Sleeper Sofa Conversion (If Equipped)</i>06-5	<i>Batteries</i>08-1
<i>Free-Standing Furniture (If Equipped)</i>06-5	<i>Battery Disconnect</i>08-1
<i>Folding Doors/Privacy Curtain</i>		<i>Battery Inspection and Care</i>08-2
<i>Dividers</i>06-5	<i>Battery Charging</i>08-2
<i>Interior Lighting</i>06-5	<i>Solar Panel (If Equipped)</i>08-3
<i>Overhead Vents</i>06-6	<i>Selecting a Replacement Battery</i>08-3
<i>Folding Chairs (If Equipped)</i>06-6	<i>Auxiliary Start System (If Equipped)</i>08-3
Monitor Panel06-6	120-Volt System08-3
Effects of Permanent Occupancy06-7	<i>Power Converter</i>08-4
<i>Condensation and How to Control It</i>06-7	<i>Ground Fault Circuit Interrupter (GFCI)</i>08-4
<i>Dripping Ceiling Vents</i>06-9	<i>Generator (If Equipped)</i>08-4
Important Information06-9	<i>Generator Fuel Supply</i>08-5
<i>What the RV Owner Can Do</i>06-10	<i>LP Generator (If Equipped)</i>08-5
Fire Safety06-10	<i>Generator Operations</i>08-5
<i>Fire Safety Precautions</i>06-11	<i>Generator Operating Safety Precautions</i>08-5
<i>Smoke Detector/Alarm</i>06-12	Electronic Climate Control System	
PLUMBING SYSTEMS		<i>(If Equipped)</i>08-6
AND HOLDING TANKS07-1	Electrical Wiring Diagrams08-6
Fresh Water System07-1	Motor Home Fuses and Circuit Breakers08-6
<i>External Fresh Water Hookup</i>07-1	LP GAS SYSTEM09-1
<i>Filling the On-Board Water Tank</i>07-1	LP Gas Safety Precautions09-1
<i>Draining the Fresh Water Tank</i>07-2	System Components09-2
<i>Water Pump</i>07-2	<i>Hoses</i>09-2
<i>Water Pump Filter</i>07-2	<i>LP Gas Regulator</i>09-2
<i>Low Point Drains</i>07-2	Using LP Gas System at Low	
<i>Troubleshooting the Fresh Water System</i>07-3	Temperatures09-2
<i>Leaks</i>07-3	Filling LP Gas Tanks09-3
<i>Sanitizing the Fresh Water System</i>07-3		

Table of Contents

LP Gas System Check	09-3	<i>Sealant Renewal</i>	11-2
LP Gas Leak Detector/Alarm	09-3	<i>Door, Window, Roof Component</i> <i>and Molding Resealing</i>	11-3
Lighting LP Gas Appliances	09-4	Acrylic Assist Handles (If Equipped)	11-3
APPLIANCES	10-1	Interior	11-3
Water Heater	10-1	<i>Fabrics</i>	11-3
<i>Water Heater Bypass Valve</i>	10-1	<i>Solid Surface Top Care (If Equipped)</i>	11-3
Refrigerator	10-1	<i>Laminate Top Care (If Equipped)</i>	11-4
Furnace	10-1	<i>Walls and Ceiling Panels</i>	11-4
Range	10-2	<i>Attaching Accessories to Your</i> <i>Motor Home</i>	11-4
Range Exhaust Hood	10-2	<i>Plastic/Fiberglass Shower Stall</i>	11-4
Air Conditioner(s) (If Equipped)	10-2	<i>Floors and Carpeting</i>	11-4
Additional 12-Volt Equipment	10-3	<i>Wood Floor (If Equipped)</i>	11-4
<i>Front TV and Optional 120-Volt VCR</i>	10-3	<i>Engine Access</i>	11-5
<i>120/12-Volt Televisions (If Equipped)</i>	10-3	Exterior Sealants	11-5
Video Switcher (If Equipped)	10-3	Generator Filters	11-5
TV Antenna (If Equipped)	10-3	Trailer Hitch Connector Wiring	11-5
Antenna Operating Instructions	10-3	Maintenance Guideline	11-6
Satellite Dish Antenna (If Equipped)	10-4	STORAGE	12-1
Telephone Jack	10-4	Storage Checklists	12-1
Microwave Oven (If Equipped)	10-4	<i>Short-Term Storage (Less than 60 days)</i>	12-1
Washer/Dryer-Ready Option	10-4	<i>Long-Term Storage (Over 60 days)</i>	12-2
Miscellaneous Appliances	10-4	Winterization	12-2
MAINTENANCE	11-1	<i>Water System Winterizing</i>	12-3
Exterior	11-1	Reactivating the Motor Home After Storage	12-4
<i>Stains</i>	11-1	GLOSSARY	13-1
<i>Exterior Graphics Care</i>	11-2		
<i>Windows, Doors, Vents and Locks</i>	11-2		
TPO Roof System	11-2		
<i>Cleaning</i>	11-2		
<i>Care</i>	11-2		

This page intentionally blank.

LIMITED ONE YEAR/THREE YEAR WARRANTY

For Motor Homes Manufactured and Warranted by subsidiaries of Fleetwood Enterprises, Inc., sold in the United States and Canada

COVERAGE PROVIDED

Your new motor home, including the structure, plumbing, heating and electrical systems, all appliances and equipment installed by the manufacturer, is warranted under normal use to be free from manufacturing defects in material or workmanship. Appearance imperfections, or damage to paint, graphics, exterior materials, or upholstery that may have occurred prior to delivery are normally corrected during the inspection process at the manufacturing plant or at the dealership.

The warranty extends to the first retail purchaser and his transferee(s) and begins on the date of original retail delivery or the date the motor home is first placed into service as a rental, commercial or demonstrator unit (whichever occurs first). The warranty extends for the following periods:

1. For all defects (other than structural) the warranty extends for a period of one year from such date or until the unit has received 15,000 total miles of use as determined by the mileage shown on the odometer (whichever occurs first).
2. For structural defects, 3 years; structural defects are limited to the following: roof structure, sub-floor structure, and Vacu-bond® walls.

Written notice of defects must be given to the selling dealer or manufacturer not later than ten (10) days after the expiration of the warranty period.

OWNER'S OBLIGATIONS

The owner is responsible for normal maintenance as described in the *Owner's Information Package*; however, minor adjustments (such as adjustments to the interior or exterior doors, LPG regulator pressure, cabinet latches, TV

antenna control, etc.) will be performed by the dealer during the first 90 days of warranty coverage. Thereafter, such adjustments are the responsibility of the owner as normal maintenance unless required as a direct result of repair or replacement of a defective part under this warranty.

If a problem occurs which the owner believes is covered by this warranty, the owner shall contact the selling dealer, or Fleetwood Owner Relations, giving sufficient information to resolve the matter. The owner shall deliver the motor home to the dealer or a Fleetwood Service Center location for warranty service.

DEALER'S OBLIGATIONS

By agreement with the manufacturer, the dealer is obligated to maintain the motor home prior to retail sale, to perform a detailed predelivery inspection and to repair or replace any parts necessary to correct defects in material or workmanship.

WHEN THE DEALER DOES NOT RESOLVE THE PROBLEM

If the dealer is unable or unwilling to resolve a problem which the owner is convinced is covered by the warranty, the owner should contact Fleetwood Owner Relations at the address or telephone number listed on the next page and provide Fleetwood Owner Relations with a description of the problem and attempts made to resolve it.

MANUFACTURER'S OBLIGATIONS

Upon receipt of notice of a claim, where the dealer was unable or unwilling to resolve the problem, a Fleetwood Service Center will repair or replace any parts necessary to correct defects in material or workmanship or will take other appropriate action as may be required.

Warranty

WHAT IS NOT COVERED BY THIS WARRANTY

This warranty does not cover:

1. The automotive chassis system (including the chassis and drive train), tires and batteries, which are covered by the separate warranties of the respective manufacturers of these components.
2. Defects caused by or related to:
 - a. Abuse, misuse, negligence or accident;
 - b. Failure to comply with instructions contained in the *Owner's Information Package*;
 - c. Alteration or modification of the motor home;
 - d. Environmental conditions (salt, hail, chemicals in the atmosphere, etc.)
3. Normal deterioration due to wear or exposure, such as fading of fiberglass, fabrics or drapes, carpet wear, etc.
4. Normal maintenance and service items, such as light bulbs, fuses, wiper blades, lubricants, etc.
5. Motor homes on which the odometer reading has been altered.
6. Transportation to and from dealer or Fleetwood Service Center location, loss of time, inconvenience, commercial loss, loss of use, towing charges, bus fares, vehicle rental, incidental charges such as telephone calls or hotel bills, or other incidental or consequential damages.
7. Fleetwood will NOT be responsible for any losses, damages, or claims, including, but not limited to property damage, personal injury, loss of income, legal fees or expenses, emotional distress, death, loss of use, loss of value, all other economic loss, adverse health effects, or any other effects caused or alleged to be caused by MICROBIAL MATTER, including, but not limited to, mold, mildew, fungus or dry rot.

ANY IMPLIED WARRANTIES, INCLUDING, BUT NOT LIMITED TO THE IMPLIED WARRANTIES OF WORKMANLIKE CONSTRUCTION, HABITABILITY, MERCHANTABILITY AND FITNESS FOR A PARTICULAR USE ARE LIMITED IN DURATION TO THE DURATION OF THIS 1/3 YEAR WARRANTY.

Some states do not allow the exclusion or limitation of incidental or consequential damages, so the above limitation or exclusion may not apply to you.

This warranty gives you specific legal rights, and you may also have other rights which vary from state to state.

The manufacturer/warrantor is not responsible for any undertaking, representation or warranty made by any dealer or other person beyond those expressly set forth in this warranty.

For Motor Homes Manufactured and Warranted by the following subsidiaries of Fleetwood Enterprises, Inc.:

**Fleetwood Motor Homes of California, Inc.
Fleetwood Motor Homes of Indiana, Inc.
Fleetwood Motor Homes of Pennsylvania, Inc.**

For Customer Service assistance, contact:

**Fleetwood Owner Relations
P.O. Box 59933
Riverside, CA 92517
(800) 322-8216**

IMPORTANT NOTICES

State laws in the United States and provincial laws in Canada vary concerning operator licensing requirements and vehicle dimensional restrictions. Check the laws in the area where you anticipate traveling.

The particle board, hardwood plywood, or paneling used in your motor home are made with urea-formaldehyde resin. The companies that supply us with these materials have asked that we tell you about urea-formaldehyde with the statements on this page.

Ventilation is important for making the interior of your motor home comfortable. Please read the section about ventilation and prolonged occupancy in the *Living With Your Motor Home* chapter in this *Owner's Manual*.

We provide you consumer information as detailed by the National Fire Protection Association (NFPA) and the American National Standards Institute (ANSI). The information and warnings found on these pages may also be found in other chapters of this *Owner's Manual*. Please see the *LP Gas System* and *Appliances* chapters for other safety and operating information.

WARNING

This product is manufactured with urea-formaldehyde resin. Formaldehyde vapor may in some people cause headaches, eye, nose and throat irritation, and aggravation of allergies and respiratory problems, such as asthma. Proper ventilation should reduce the risk of such problems.

WARNING

This product is manufactured with a urea-formaldehyde resin and will release small quantities of formaldehyde. Formaldehyde levels in the indoor air can cause temporary eye and respiratory irritation, and may aggravate respiratory conditions or allergies. Ventilation will reduce indoor formaldehyde levels.

WARNING

Irritant: This product contains a urea-formaldehyde resin and may release formaldehyde vapors in low concentrations. Formaldehyde can be irritating to the eyes and upper respiratory system of especially susceptible persons such as those with allergies or respiratory ailments. Use with adequate ventilation. If symptoms develop, consult your physician.

WARNING

Do not bring or store LP gas containers, gasoline or other flammable liquids inside the vehicle because a fire or explosion may result.

A warning label has been located near the LP gas container. This label reads: **DO NOT FILL CONTAINER(S) TO MORE THAN 80-PERCENT OF CAPACITY.**

FAILURE TO COMPLY COULD RESULT IN FIRE OR PERSONAL INJURY.

Overfilling the LP gas container can result in uncontrolled gas flow which can cause fire or explosion. A properly filled container will contain approximately 80- percent of its volume as liquid LP gas.

The following warning label has been placed in the vehicle near the range:

WARNING IF YOU SMELL GAS:

1. Extinguish any open flames, pilot lights, and all smoking materials.
2. Do not touch electrical switches.
3. Shut off the LP gas supply at the container valve(s) or gas supply connection.
4. Open doors and other ventilation openings.
5. Leave the area until the odor clears.
6. Have the LP gas system checked and leakage source corrected before using again.

FAILURE TO COMPLY COULD RESULT IN FIRE OR PERSONAL INJURY.

Important Notices

WARNING

It is not safe to use cooking appliances for comfort heating. Cooking appliances need fresh air for safe operation.

Before operation:

1. Open overhead vent or turn on exhaust fan, and
2. Open window.

FAILURE TO COMPLY COULD RESULT IN FIRE OR PERSONAL INJURY.

This warning label has been located in the cooking area to remind you to provide an adequate supply of fresh air for combustion. Unlike homes, the amount of oxygen supply is limited due to the size of the recreational vehicle, and proper ventilation when using the cooking appliance(s) will avoid dangers of asphyxiation. It is especially important that cooking appliances not be used for comfort heating as the danger of asphyxiation is greater when the appliance is used for long periods of time.

WARNING

Portable fuel-burning equipment, including wood and charcoal grills and stoves, shall not be used inside this recreational vehicle. The use of this equipment inside the recreational vehicle may cause fires or asphyxiation.

WARNING

LP gas containers shall not be placed or stored inside the vehicle. LP gas containers are equipped with safety devices which relieve excessive pressure by discharging gas to the atmosphere.

FAILURE TO COMPLY COULD RESULT IN DEATH OR SERIOUS INJURY.

STORM INFORMATION

LAMPS AND BULBS

Replace bulbs with the listed bulb or equivalent.

Interior - 12-volt

Ceiling single incandescentGE 1141, 12-volt
Ceiling double incandescent....GE 1141, 12-volt
Bedroom decor reading light ...GE 1076, 12-volt
Range hoodGE 921, 12-volt
Driver/passenger map lights.....MR 16C, 12-volt
Vanity light.....GE 9019, 12-volt

Exterior

Headlight, halogen high-low
beam.....9007 HB5, 12-volt
Front turn signal lights.....GE 1129, 12-volt
Front turn signal lights
(lower).....GE 1157A, 12-volt
Front park light (lower)GE 194, 12-volt
Front clearance lightsGE 67DP, 12-volt
Side marker lightsGE 194, 12-volt
Porch lightsJensen 1003, 12-volt
Entry step light.....GE 194, 12-volt
Rear clearance lights.....GE 194, 12-volt
Back-up lightsGE 1129, 12-volt
Stop/turn/tail lightsGE 1154, 12-volt
License plate light.....GE 53, 12-volt
Rear turn lightsGE 1129, 12-volt
Rear turn lights
(lower).....GE 1156A/GE 194A, 12-volt

CAUTION

Before relamping, disconnect power source by removing fuse or placing circuit breaker and control switch in OFF position.

Halogen bulbs operate at extremely high temperatures and pressures and will shatter if not handled correctly.

Always use a soft dry cloth or cotton gloves when handling halogen bulbs.

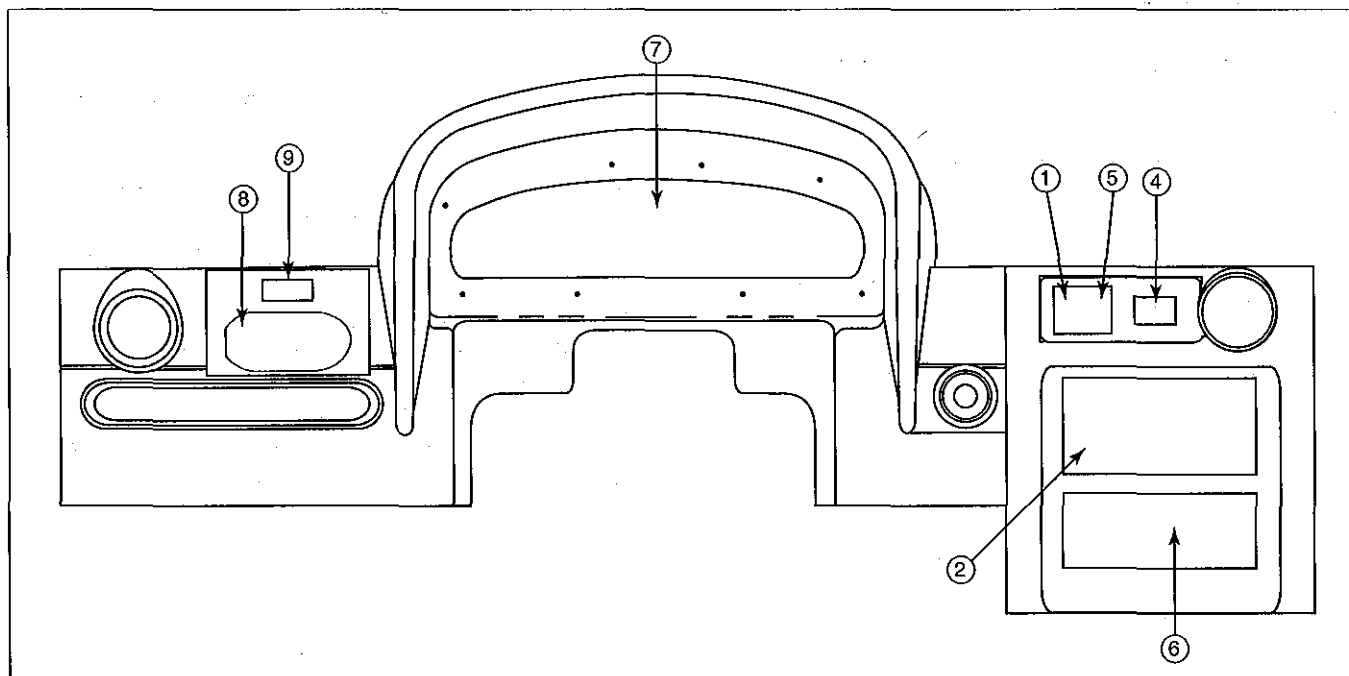
Do not touch glass area with bare hands. If bulb is touched with bare hands, wipe the bulb clean with rubbing alcohol.

Do not use near flammable or combustible materials and/or objects which may be sensitive to fading or drying.

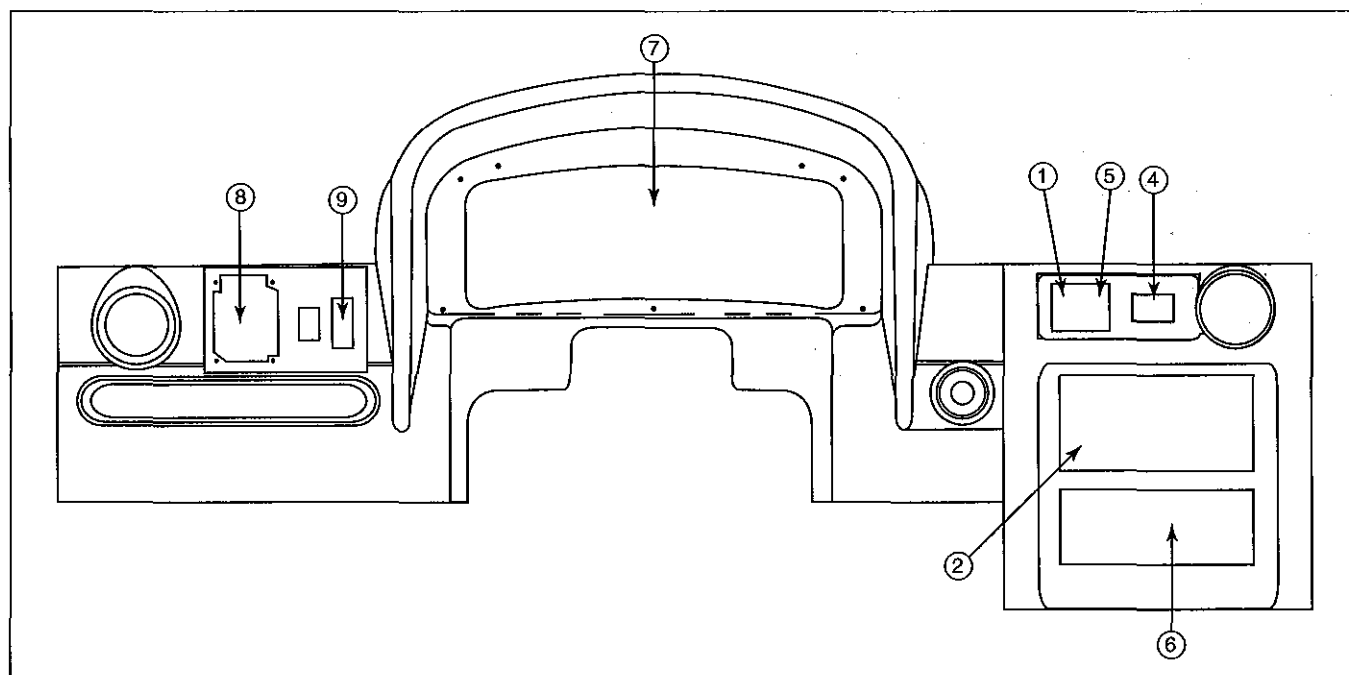
Use bulbs designed or specific by manufacturer as to style, wattage and voltage.

Storm Information

DRIVER'S CONTROLS



FORD INSTRUMENT PANEL



WORKHORSE INSTRUMENT PANEL

1. **Radio Mode Switch** – Switches power to the radio between the chassis battery and the coach battery.
2. **Radio/CD Player or Optional Radio/Tape/CD Player**
3. **Cigarette Lighter**
4. **Generator Hour Meter**
5. **Generator Switch**
6. **Climate Controls**

Temperature Control Lever – Used to adjust the temperature of the delivered air. Move lever to the left for cooler, and to the right for warmer.

Fan Speed Switch – Turns fan on and off and adjusts speed.

Air Intake Button (RECIRC) – Selects source of intake air. When the button is pressed in (RECIRC), interior air is recirculated through the system. When button is out, air from outside the vehicle is drawn through the system. Normally, set the button out to circulate fresh air from outside. The RECIRC mode may be used when you desire faster cooling or heating, or if outside air is unusually dusty or odorous.

Air Flow Control Buttons – Selects outlet for the delivered air.

VENT – Air is delivered from the adjustable dash mounted outlets. Vent air will be either heated or cooled depending on position of the temperature lever.

B/L – Bi-level. Air is delivered from both the dash and floor outlets.

FLOOR – Air is delivered from floor outlets, with some directed to the windshield to prevent fogging.

DEF – Air is delivered to the windshield from the top dash outlets. Set fan switch to HI and temperature lever to far right for maximum defrosting.

Air Conditioning On-Off Button – Turns A/C compressor on and off. When air conditioning is desired, press this button in and set fan switch to any position except OFF.

A/C Indicator Light – Will light when the A/C button is on. In the defrost (DEF) mode, the compressor will automatically be engaged regardless of the button position.

7. **Instrument Cluster** – Consult *Chassis Operator's Manual* for details on instruments.

8. Headlights

9. **Auxiliary Start Switch** – Allows engine to start with auxiliary batteries.

This page intentionally blank.

INTRODUCTION

Welcome to the recreational vehicle life-style and the growing family of motor home owners. We sincerely thank you for choosing a Fleetwood motor home!

✓ NOTE

This manual describes many features of your RV and includes some instructions for its safe use. This manual, including photographs and illustrations, is of a general nature only. Some equipment and features described or shown in this manual may be optional or because of the continuous program of product change conducted by Fleetwood, it is possible that recent product changes may not be included.

✓ NOTE

Throughout this manual the term "RV" represents a "Recreational Vehicle" as defined by the NFPA 1192/ANSI A119.2 code. This includes motor homes, fifth wheel trailers, travel trailers, camping trailers, recreational park trailers, and truck campers.

Your motor home has been designed to provide you with years of carefree, pleasant traveling and vacationing. It conforms with, or exceeds, applicable *American National Standards Institute (ANSI), National Fire Protection Association (NFPA), Canadian Standards Association (CSA)* (units built for Canada only), *Federal Motor Vehicle Safety Standards (FMVSS), Environmental Protection Agency (EPA) and California Air Resources Board (CARB)* regulations. The seal attached just outside the entry door indicates compliance with *ANSI* or *CSA* standards.

Like all equipment, your motor home will require care and regular maintenance in order to deliver maximum value and performance. The dealer will give you basic operating and maintenance instructions. However, supplement this by reading all instructional material(s) furnished with the motor home in the *Owner's Information Package* and the motor home *Chassis Operator's/Owner's Guide/Manual*. This information outlines important areas of operation and maintenance for you to

follow for safe, trouble-free service from your motor home. Study these materials carefully. A good working knowledge of your motor home and how to care for it will help you enjoy many miles and years of recreational living.

Please pay close attention to these statements while you read this Owner's Manual.

In this manual, statements preceded by the following words are of special significance:

⚠ WARNING

indicates a potentially hazardous situation which, if not avoided, could result in death or serious injury.

⚠ CAUTION

indicates a potentially hazardous situation which, if not avoided, may result in minor or moderate injury.

CAUTION

indicates a potentially hazardous situation which, if not avoided, may result in damage to the component or vehicle.

✓ NOTE

indicates points of particular interest for more efficient and convenient operation.

If you have any questions regarding operation, maintenance, or service, please contact your

✓ NOTE

This product is designed for recreational use and short term occupancy only. It is not designed or intended to be used as permanent housing. Use of this product for long term or permanent occupancy may lead to premature deterioration of interior finishes, fabrics, carpeting, drapes, and appliances and fixtures. Damage or deterioration due to long term occupancy is not considered normal, and will under the terms of the warranty constitute misuse, abuse, or neglect, thereby reducing your warranty protection. Before considering this motor home for long term occupancy, consult the relevant sections in this manual.

Introduction

dealer immediately so he can assist you. Your dealer's Service or Sales Department will handle any normal problems which might occur.

Some equipment and features described or shown in this manual may be optional or not available on some models.

Because of the continuous program of product improvement conducted by Fleetwood, it is possible that recent product changes may not be included in this manual. Specifications may change without notice. Product information, illustrations and photography included in this Owner's Manual were as accurate as possible at the time of publication, and are representative of function and may or may not be specific in their depiction of actual equipment, fabrics, interior or exterior decor or design options as installed on or in your recreational vehicle.

The instructions included in this manual are intended as a guide, and in no respect extend the responsibilities of the manufacturing subsidiary, parent company or affiliates beyond the standard written warranty as presented in this manual.

Fleetwood has designed its recreational vehicles to provide a variety of uses for its customers. Each vehicle features optimal seating, sleeping, storage and fluid capacities. The user is responsible for selecting the proper combination of loads to ensure that the recreational vehicle's capacities are not exceeded.

WARRANTIES

Your motor home is covered by one of the most comprehensive warranty programs in the RV industry. Please refer to the warranty in the front of this manual. It explains your rights and obligations, as well as the rights and obligations of the dealer and manufacturer. Please read this section carefully. You will be better informed in case you have a warranty-related problem, and your dealer will be better able to get you on the road again. If you have any questions about the warranty or what it does or does not cover, please contact your dealer.

The materials in your *Owner's Information Package* contain warranty information and operating instructions on the various appliances and components in your motor home. Warranty registration cards for these items should be filled out and mailed as soon as possible after you take delivery of your motor home. If you do not have operating instructions for a particular appliance or component, contact your dealer.

You will automatically receive an *Ownercare Card* several weeks after the delivery receipt is received from your selling dealer. This card is imprinted with your name, the motor home serial number, and manufacturing subsidiary location. If your motor home ever needs warranty service, present this card to the dealer, or have it available when contacting a Fleetwood service center.

The motor home has been thoroughly inspected before shipment. ***Your dealer is responsible for performing a complete predelivery inspection of the motor home as specified in the Ownercare delivery checkout.***

As a part of the predelivery inspection procedure, the dealer is responsible for road testing the motor home, noting and correcting any steering problems and setting correct tire pressures before delivery.

Fleetwood and its subsidiaries will not be responsible for front end alignment after this predelivery inspection has been performed.

You should return your motor home to the selling dealer for warranty service. If this is not possible, you may contact any other authorized Fleetwood motor home dealer. The service department at any of the locations listed at the back of this manual can help you find a dealer in your area.

If, for some reason, a problem is not handled to your satisfaction:

1. Discuss any warranty-related problems directly with the manager and/or owner of the dealership, giving them an opportunity to help the service department resolve the matter for you.

2. If a problem arises that has not been resolved to your satisfaction by your local dealer, contact Fleetwood Owner Relations. The locations are listed in the back of this manual. Please contact the one nearest you.
3. We sincerely believe that your dealer and the factory representative will be able to solve any problem which might arise. If their combined efforts are not satisfactory, please send a letter describing the circumstances to:

Fleetwood Owner Relations
P.O. Box 59933
Riverside, CA 92517

Please include the brand name and serial number of your motor home. The serial number is located on the identification tag next to the entry door, and on your warranty card.

4. If you wish to call for assistance, please use this toll-free telephone number:

Fleetwood Owner Relations
(800) 322-8216

There may be times when your motor home will need repairs or parts while you are on the road. If your motor home is repaired by a non-authorized repair facility (non-Fleetwood dealer), be sure to save receipts and especially any parts that are replaced. These parts will usually have to be returned to your dealer before you can be reimbursed for their cost.

WARRANTY SERVICE

If you need service or warranty information, please see the booklets and other documents included in your *Owner's Information Package*. When contacting any of the equipment manufacturers, always have the model and serial numbers available. Appliance identification numbers will be found on tags or plates attached to the appliance.

If you ever need warranty work done, be sure to have the right papers with you. If required work is not covered under the warranty, your dealer's service department can help you with getting the correct service. Always keep a maintenance log of your RV's service history.

Always make a written list of the RV's problems or the specific work you want done. If you've had work done that is not on your maintenance log, let the service advisor know. Don't keep secrets.

And finally, be reasonable with requests. If you have a long list of service items that need attention and you need your RV very soon, discuss the situation with the service advisor, listing the items in order of priority. This will help the service department manage their time and will help get you going as quickly as possible.

If you have a warranty or service concern about the chassis portion of your vehicle please be aware that you may go directly to an authorized chassis dealer for service. This may save you time and effort as the chassis warranty is administered by the chassis manufacturer. Consult your area phone directory for an authorized dealer and make arrangements with their service department. If you are unsure if the concern is chassis related, feel free to contact your Fleetwood dealer to assist you.

REPORTING SAFETY DEFECTS

If you believe that your vehicle has a defect which could cause a crash, injury, or death, you should immediately inform the *National Highway Traffic Safety Administration (NHTSA)* in addition to notifying the Fleetwood Owner Relations at 1-800-322-8216.

If *NHTSA* receives similar complaints, it may open an investigation, and if it finds that a safety defect exists in a group of vehicles, it may order a recall and remedy campaign.

To contact *NHTSA*, you may either call the Auto Safety Hotline toll-free at 1-888-327-4236 or write to:

NHTSA
U.S. Department of Transportation
400 Seventh St. SW
Washington, DC 20590

You can also obtain other information about motor vehicle safety from the Hotline.

Introduction

INSPECT AND MAINTAIN

Follow a consistent schedule of inspection and maintenance for your motor home. Your continuing safety and comfort depend on it. This manual includes a section outlining maintenance intervals. If you follow the maintenance guidelines, you will minimize the possibility of failure of any important system or part of your motor home.

PLANNING AND PREPARATION

Each year millions of Americans embark on trips using some type of recreational vehicle. Proper planning of your trip will ensure a pleasurable experience. A thorough knowledge of your RV is important if you are going to get the most out of the convenience and safety items built into your motor home. Be as familiar with it as you are with your personal car or truck. If you have trouble or have questions, please consult your dealer.

OWNER'S INFORMATION PACKAGE

This package contains valuable documents about your motor home and its equipment and systems. This *Owner's Manual* and the *Chassis Operator's Manual* are in the package. Since this manual does not cover every possible detail of equipment and options installed on or in your motor home, there are booklets and instructional material in the package that will help you safely operate, maintain and troubleshoot those items. ***Be sure you read all this information and understand the safety and operating instructions included in the package.*** Additionally, you must follow all maintenance instructions to insure full warranty coverage. If you decide to sell or trade your motor home, be sure the new owner receives all the material in this package.



NOTE

If your **Owner's Information Package** does not contain these items, even if you purchased your motor home "used," please call or write Fleetwood and request the desired or missing information.

Fleetwood Motor Home Service
P.O. Box 59933
Riverside, CA 92517
(800) 322-8216

CHASSIS AND VEHICLE IDENTIFICATION

Several numbers are used to identify the vehicle and components used on the vehicle.

The **V.I.N.** or **Vehicle Identification Number** is assigned by the chassis manufacturer and is the number used for vehicle registration. The V.I.N. is found on the Federal Certification Tag attached in the driver's compartment. Refer to this information when ordering parts from the chassis manufacturer or chassis dealer service center.

The **F.I.N.** or **Fleetwood Identification Number** is located on the tag just outside the main entry door or on the outside left front side of the motor home. Use this number when ordering parts through your Fleetwood dealer or Service Center. (See page 04-5 for examples of V.I.N., F.I.N. and Federal Certification Tag.)

SUSPENSION ALIGNMENT AND TIRE BALANCE

The front suspension and steering system of this vehicle was accurately aligned at the factory before delivery to the dealership. However, after you have fully loaded the vehicle according to your personal needs, have the alignment checked and adjusted, if necessary. To help prevent uneven tire wear, check the front-end alignment periodically.

Please note that front-end alignment after retail delivery is the owner's responsibility and is not covered under the warranty.

(Example)

FEDERAL CERTIFICATION TAG			
MFD BY:			
DATE MFD:			
INC VEH MFD BY:			
DATE OF VEH MFD:			
GVWR:	KGS (LBS)	
FRONT GAWR:	KGS (LBS)	
	WITH:		RIMS
	TIRES AT:	(KPA COLD SINGLE PSI)
INTERMEDIATE GAWR:	KGS (LBS)	
	WITH:		RIMS
	TIRES AT:	(KPA COLD DUAL PSI)
GAWR REAR:	KGS (LBS)	
	WITH:		RIMS
	TIRES AT:	(KPA COLD SINGLE PSI)
GAWR COMBINED INTERMEDIATE AND REAR: KGS (LBS)			
This vehicle conforms to all applicable U.S. Federal Motor Vehicle Safety Standards in effect on the date of manufacture shown above:			
V.I.N.			
TYPE VEHICLE: MULTI-PURPOSE PASSENGER VEHICLE			
The tires and wheels with sizes and ratings designated above have been equipped with this vehicle by Fleetwood. Any replacement tires installed must meet the same specifications and minimum load requirements. W15-0016			

Located in the driver's compartment.

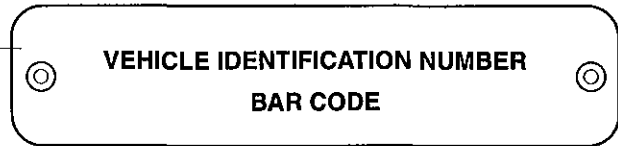
Excessive or abnormal tire wear may indicate worn or misaligned suspension or steering components, unbalanced or improperly inflated tire(s) or some other tire/suspension problem.

Alignment can be affected by worn steering/suspension parts or road hazards such as hitting a curb, pothole, railroad track, etc. Improper alignment can cause tires to roll at an angle and wear unevenly. It may also cause the vehicle to "pull" to the right or left.

Out-of-balance tires will not roll smoothly and will cause annoying vibrations and uneven tread wear such as cupping or flat spots. If you see uneven tire tread wear or if the vehicle ride

(Example)

V.I.N. (Vehicle Identification No.)



This tag is located on the left top of the instrument panel.

FLEETWOOD MOTOR HOMES	
OF	INC.
PLAN APPROVAL NO.	
F.I.N.	
MFD. ID. NO.	MODEL
DATE OF MFR. MO:	YR:

Located on the left of the main entry door or on exterior left front side of the motor home.

F.I.N. (Fleetwood Identification No.)

comfort decreases, the tires may need to be balanced.

See the *Chassis Operator's/Owner's Guide/Manual* for more information.

After-Market Steering Aid Devices

Fleetwood does not sanction or condone the installation of any steering aid device that is not approved by our chassis manufacturer's. Any add-on device of this type may void the chassis manufacturer's warranty on the item or items affected.

Introduction

WARNINGS, TERMS AND CONCEPTS FOR SAFE OPERATION OF YOUR MOTOR HOME

Vehicle Crash

Like any other vehicle you may drive, your motor home can be involved in a vehicle crash, including a rollover. The motor home will be damaged and you and others can be injured or killed. Drive defensively at all times. **DO NOT** drive if you are tired, have been drinking alcoholic beverages, are under the influence of any controlled substance, or are taking any medication or drugs that may impair your sight, hearing, judgment or coordination. Pull off the road and park in a safe area until you can drive safely.

Vehicle Handling

Your motor home is longer, wider and higher than a typical car or truck you may be accustomed to driving. Keep this in mind as you become familiar with driving your motor home. New motor home owners should take special care to learn the driving and handling characteristics of your vehicle in safe and familiar surroundings. The distribution of the weight of your motor home is designed so it will handle safely while being driven.

- *When loading the motor home, balance the load front-to-rear and side-to-side.*
- *Load and secure heavier items lower in the storage areas than lighter items.*

If you fail to properly load your belongings and supplies, you will defeat the load distribution design of the motor home, possibly leading to handling problems and a vehicle crash.

Vehicle Response

When you, the driver, accelerate, brake or steer the motor home, it responds to these inputs. If you are faced with an emergency while driving, the way you respond to the emergency and the way the motor home responds becomes more critical. If you load, alter or maintain your motor home improperly, it will not respond as it did when you first received it in an unloaded condition. ***Improper loading, alteration, maintenance and improper driver responses to emergency conditions can lead to handling problems and vehicle crashes.***

Vehicle Towing

Your motor home can be equipped with a hitch designed to allow you to tow vehicles or other loads behind your motor home. The maximum amount of weight your motor home can pull or stop is determined by the manufacturer of the chassis on which your motor home is built. Check the ***Chassis Operator's/Owner's Guide/Manual*** provided by the motor home chassis manufacturer for the limits on the weight you can tow.

If the ***Chassis Operator's/Owner's Guide/Manual*** does not provide information on towing weight limits, do not tow a load of more than 1000 pounds unless the towed unit has a properly installed and operating supplemental brake control system that operates with the brakes on your motor home.

- You may be able to increase the weight of any towed load by properly installing on the towed load a supplemental brake control system that operates with your motor home's braking system. Even with additional brakes, you cannot tow more than the GTW or GCWR for the chassis under your motor home. Again, check the ***Chassis Operator's/Owner's Guide/Manual***.

- You **CANNOT** increase the towed weight limit by changing the size of your hitch.
- Properly load what you tow to avoid a vehicle crash.
- **Do not** attempt to tow something that is too heavy for your chassis.
- **When driving in mountainous areas, look for and obey highway signs concerning grades and curves.** Your driving experience when pulling and stopping a towed unit on mountain roads will be very different from what you experience on level ground.
- State laws in the United States and provincial laws in Canada vary concerning towing requirements and limits. Check the laws in the areas where you anticipate traveling.

Alterations to Your Motor Home

Many motor home owners like to add a personal touch to their motor home. But there is a difference between changing how your motor home looks versus how it handles or responds to driver inputs. If you expect to make any type of alteration to your motor home, consult a professional who understands the correct way to do the alteration and how the alteration will change or affect the stability, handling,

vehicle response, and overall performance and safety of your motor home. *An improper alteration that affects vehicle handling or response can cause a vehicle crash, and any improper alteration to the electrical or LP gas systems can cause a fire and can endanger your motor home and its occupants.* Fleetwood, your chassis and other manufacturers stand behind the motor home as delivered – **NOT** as altered by someone else.

Warning Devices

Your motor home is equipped with warning devices. Check them before a trip for proper operation. A disabled warning device cannot warn you or vehicle occupants of a life-threatening danger. Keep them working and respond to them quickly.

Examples of These Devices Include:

- Carbon Monoxide Detector/Alarm
- LPG Detector/Alarm
- Smoke Detector/Alarm
- Seat Belt Warnings
- Hazard Flashers
- Brake Warning Light
- Engine Warning Light

This page intentionally blank.

MOTOR HOME LOADING

Responsibility for Proper Loading

As the operator of this motor home, you are responsible for its proper and safe loading. This section is intended to provide you with helpful information concerning the loading of your motor home.

Your motor home chassis is designed to carry a specifically rated maximum weight. This weight includes everything: the weight of the empty motor home itself, all occupants and their belongings, fuel, fresh water, waste water and anything else that may be in or attached to the motor home. *The specified weights must never be exceeded.* If you do exceed them, you will change how your motor home handles and responds, possibly leading to a vehicle crash.

Some Definitions First

Before discussing loading and weighing, we need to explain some common weight terms. We will use abbreviations and you should refer back to these terms if you do not understand what the abbreviation means.

GVWR (Gross Vehicle Weight Rating)*

is the maximum permissible weight of this fully loaded motor home. The GVWR is equal to or greater than the sum of the Unloaded Vehicle Weight plus the Cargo Carrying Capacity.

GCWR (Gross Combined Weight Rating)*

means the value specified by the motor home manufacturer as the maximum allowable loaded weight of this motor home with its towed trailer or towed vehicle. Towing and braking capacities may be different. Refer to Fleetwood and the chassis manufacturer's manuals for complete information.

GTW (Gross Towed Weight)*

is the maximum loaded weight of a trailer or towed vehicle this motor home with equipped hitch has been designated to tow. GTW cannot be increased by changing the trailer hitch.

GAWR (Gross Axle Weight Rating)*

means the maximum permissible loaded weight a specific axle is designed to carry.

MTW (Maximum Tongue Weight)*

is the maximum permissible downward force exerted on the hitch ball by the towed vehicle coupler.

UVW (Unloaded Vehicle Weight)*

means the weight of this motor home as built at the factory with full fuel, engine oil and coolants. The UVW does not include cargo, fresh water, LP gas, occupants, or dealer installed accessories.

CCC (Cargo Carrying Capacity)*

is equal to GVWR minus each of the following: UVW, full fresh (potable) water weight (including water heater), full LP gas weight and SCWR.

SCWR (Sleeping Capacity Weight Rating)

is the manufacturer's designated number of sleeping positions multiplied by 154 pounds (70 kilograms).

Hitch Rating

means the maximum allowable weight of a towed trailer or towed vehicle. The GCWR of the motor home must never be exceeded, even if the towed trailer or towed vehicle weight is less than the hitch rating.

Designated Seating Capacity (Canadian units only)

the number of sleeping positions designated equals the seating capacity.

***These ratings are shown on the Cargo Carrying Capacity label.**

WARNING

The heaviest loaded motor home with all passengers, goods, water, driver and towed vehicle must not exceed any of the following:

1. The gross vehicle weight rating (GVWR).
2. The gross combination weight rating (GCWR).
3. The front/rear gross axle weight ratings (GAWRs).
4. The individual tire and wheel ratings.

Towing a Vehicle or Trailer ("Towed Load or Towed Unit")

✓ NOTE

Some states and provinces require brakes and safety chains when towing vehicles. Consult the proper authorities in the states or provinces through which you will be traveling.

When you use your motor home to tow, remember that you must stop the towed load with your motor home's brakes. This is critical on hills and in the mountains where you may encounter sharp curves and possibly irregular road surfaces. Check your motor home *Chassis Operator's/Owner's Guide/Manual* for the maximum weight your motor home can pull and stop on both level and steep roads. If the *Chassis Operator's/Owner's Guide/Manual* does not provide information on towing weight limits, do not tow a load of more than 1000 pounds unless the towed unit has a properly installed and operating supplement brake control system that operates with the brakes on your motor home. The supplemental brakes will NOT allow you to tow more than the listed GCWR for your motor home. *If you cannot stop, you will crash.*

You must not exceed the tire capacities or the weight factors listed below if you expect to tow something behind your motor home, either with or without a dolly. The factors are:

- **GCWR - Gross Combined Weight Rating**
- **GTW - Gross Towed Weight**
- **MTW - Maximum Tongue Weight**
- **GAWR - Gross Axle Weight Rating**

The ratings for the above factors are all listed on the Cargo Carrying Capacity label posted inside the motor home.

- **Tire Capacity**

The tire capacity is dependent upon the inflation pressure set at the load applied.

If you expect to tow with your motor home, there are additional guidelines that you must follow:

- *Do not use a load equalizing hitch if your hitch head receiver is below 10,000 lbs. capacity. It could cause structural damage to the motor home frame components.*
- *Do not exceed Maximum Tongue Weight as listed on the carrying capacity label. Heavier tongue weights can change your vehicle's handling and response, can cause a vehicle to crash, and will restrict your coverage under the Ownercare Warranty.*
- *Consult with your dealer or towing equipment/trailer supplier to determine the correct type of hitch head assembly and equipment you should use for towing and leveling the load you intend to pull.*
- *Do not tow anything weighing more than the GTW listed on the Cargo Carrying Capacity label. Heavier towed loads can exceed your chassis' ability to pull and stop the load and cause a vehicle crash, damage the motor home structure or drive train, and restrict your coverage under the Fleetwood or chassis manufacturer's warranty. Changing the trailer hitch will not increase the tow capacity of the motor home.*
- *Consult the Chassis Operator's/Owner's Guide/Manual, and U.S. state and Canadian provincial laws for towing weight limits and for guidelines for installing supplemental braking systems that operate with your motor home's brakes.*

WARNING

Do not exceed the rated load of the motor home, or the rated load of any axle. Exceeding the GVWR, GAWR, GTW or GCWR of your motor home can cause handling problems, a vehicle crash, damage your motor home and void your warranties.

The way your motor home handles and responds will be affected by the way the towed unit is loaded. If the tongue weight is too light in relation to the GTW, handling and response will change and your motor home will operate less safely. Careful load planning and safe

CARGO CARRYING CAPACITY

PRODUCT: _____ YEAR: _____ MODEL: _____ SERIAL NO: _____

FIN NO: _____

	pounds	(kilograms)
GVWR	_____	_____
minus UVW	_____	_____
minus fresh water weight of _____ gallons @ 8.3 lb/gal	_____	_____
minus LP gas weight of _____ gallons @ 4.5 lb/gal	_____	_____
minus SCWR weight of _____ persons @ 154 lb/person	_____	_____

CCC for this motor home*

*Dealer installed equipment and towed vehicle tongue weight will reduce CCC.
Consumer's should request such information from the dealer.

GCWR	_____	_____
FRONT GAWR	_____	_____
REAR GAWR (Includes capacity of tag axle if so equipped)	_____	_____
HITCH RATING _____ MAX. TONGUE WEIGHT _____ LBS. GTW	_____	_____

GVWR (Gross Vehicle Weight Rating): is the maximum permissible weight of this fully loaded motor home. The GVWR is equal to or greater than the sum of the Unloaded Vehicle Weight plus the Cargo Carrying Capacity.

UVW (Unloaded Vehicle Weight): is the weight of this motor home as manufactured at the factory with full fuel, engine oil, and coolants.

SCWR (Sleeping Capacity Weight Rating): is the manufacturer's designated number of sleeping positions multiplied by 154 pounds (70 kilograms).

CCC (Cargo Carrying Capacity): is equal to GVWR minus each of the following: UVW, full fresh (potable) water weight (including the water heater), full LP gas weight and SCWR.

GCWR (Gross Combined Weight Rating): means the value specified by the motor home manufacturer as the maximum allowable loaded weight of this motor home and any towed trailer or towed vehicle. Towing and braking capacities may differ. Refer to Fleetwood and chassis manufacturer's manual(s) for complete information.

GAWR (Gross Axle Weight Rating): means the maximum permissible loaded weight a specific axle is designed to carry.

GTW (Gross Towed Weight): is the maximum loaded weight of a trailer or car this motor home with equipped hitch has been designated to tow. GTW cannot be increased by changing the trailer hitch.

HITCH RATING: means the maximum weight capacity of the trailer hitch equipped with this vehicle. The GCWR of the motor home must never be exceeded, even if the towed trailer or towed vehicle weight is less than the hitch rating.

MTW (Maximum Tongue Weight): is the maximum permissible downward force exerted on the hitch ball by the towed vehicle coupler.

WARNING: The Heaviest Loaded Motor Home with All Passengers, Goods, Water, Driver and Towed Vehicle Must Not Exceed Any of the Following:

1. The gross vehicle weight rating (GVWR).
2. The gross combination weight rating (GCWR).
3. The front/rear gross axle weight ratings (GAWR's).
4. The individual tire and wheel ratings.

Fleetwood has designed its recreational vehicles to provide a variety of uses for its customers. Each vehicle features optimal seating, sleeping, storage and fluid capacities. The user is responsible for selecting the proper combination of loads to ensure that the recreational vehicle's capacities are not exceeded.

WARNING! CONSULT MOTOR HOME AND CHASSIS MANUFACTURER'S OWNER/OPERATOR MANUAL(S) FOR SPECIFIC WEIGHING INSTRUCTIONS AND TOWING GUIDELINES, INCLUDING AUXILIARY BRAKE REQUIREMENTS FOR ANY TOWED TRAILER OR TOWED VEHICLE.

Example Cargo Carrying Capacity label

experimentation with different loading patterns in what you are towing can avoid this risk and make your driving and towing experience safer and more enjoyable.

Cargo Carrying Capacity and Load Distribution

NOTE

Cargo Carrying Capacities (CCC) of your motor home are specified on a label affixed to the inside of the motor home. The label includes all factory installed options. If other equipment such as leveling jacks, awnings, roof pods, etc., are installed after the motor home leaves the factory the weight of these items must be subtracted from the total of the passenger and cargo carrying capacities.

The amount of cargo weight you can place in your motor home is the motor home's GVWR *minus* its UVW, or maximum capacity *minus* the weight of your motor home as assembled by Fleetwood, *i.e.*, without dealer installed accessories, water, LP gas, cargo or occupants. When the motor home is being designed, the number and size of storage compartments, the liquid tank capacities and number of belted seating positions are determined for value and convenience. If you fill all liquid tanks to capacity, fill all storage compartments and cupboards to maximum volume and fill all available seating positions with passengers, the motor home could be overloaded. (See **Loading Tips**). Be aware of the weight of the items you store, where you store the items in your motor home, and weigh your motor home after it is fully loaded.

In addition to knowing the overall weight that can be safely loaded in or attached to the motor home, you must know how to distribute the weight so that correct amounts of weight are distributed between the axles or front-to-rear and also between the wheels or side-to-side. It is also important to place heavier items in under-the-floor storage or low in the motor home. If you make the motor home top heavy or much too heavy on one side, the motor home can be overturned and crash in a curve, turn or in an emergency steering maneuver. When the load is prop-

erly distributed, your motor home will handle and respond safely, and you as the driver can be more confident and will be more comfortable.

If your motor home is improperly loaded, it may be unsafe to drive, uncomfortable to drive, or both. Axle load is important and it is recommended that you should load your motor home so that the front axle is loaded to at least 80% of the front GAWR.

How to Weigh Your Loaded Motor Home

Refer to your local telephone directory to find a public weigh station. The following procedures will help you determine whether your loaded motor home (complete with cargo, fluids, passengers, and driver) is within GAWR, GVWR, and GCWR limits. When you arrive at a weigh station, the attendant will guide you through the correct positioning of the motor home on the scales.

Your RV must be weighed fully loaded, that is, with passengers, food, clothing, fuel, water, propane, supplies, etc. Any towed vehicle (car/pickup, boat or trailer) or item loaded on brackets on the back of the RV, such as bikes or motorcycles, should also be included in the weighing.

The following steps are suggested and are illustrated on the following pages:

1. Pull onto the scale so that only the front axle is on the platform (with the end of the scale midway between the front and rear axles), and record the scaled weight.
2. Pull forward until the full unit is on the scale, and record the scaled weight.
3. Pull forward so that only the rear axle is on the scale (again with the edge of the scale midway between the front and rear axles), and record the scaled weight.

If the RV has a rear tag axle, pull forward so that only the tag axle remains on the scale, and record the scaled weight.

To determine individual wheel position weights, it is necessary to repeat the first three steps, but

this time, use only one side of the scale, as shown on the following pages.

To calculate the opposite side of the vehicle wheel position weight, subtract this side's weights from the weights recorded in steps 1, 2 and 3. If there is a towed vehicle, proceed to step 4 to obtain the "towed vehicle only" weight.

4. If a boat, trailer or other vehicle is being towed, it should be weighed and combined with the towing vehicle's GVW (Gross Vehicle Weight) to ensure the total weight does not exceed the GCWR (Gross Combined Weight Rating).

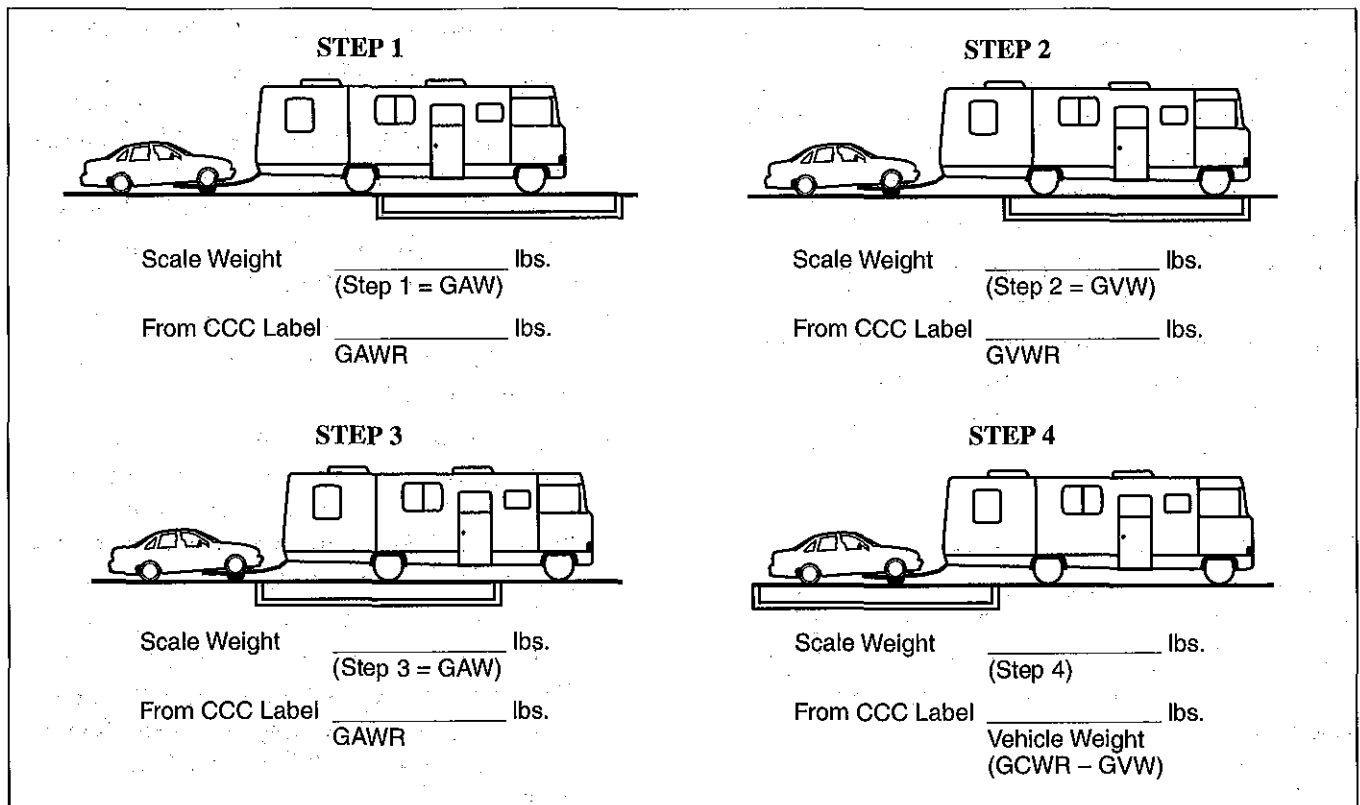
✓ NOTE

Even though the weight of the total axle may be within the axle's rating, it may be overloaded on one side. This causes one wheel position to be overloaded, therefore, side-to-side weighing is required.

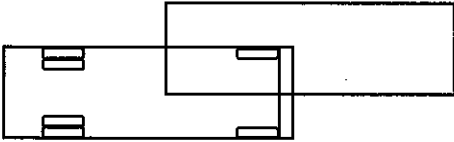
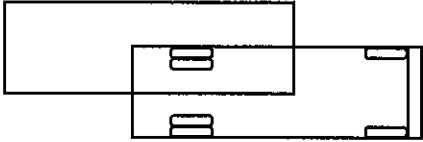
Your RV must remain as level as possible on the scale (even though an axle or side is not physically on the scale). Obviously, to obtain the side-to-side weights, there must be enough space on either side of the scale to accommodate the RV being partially off the scale. You may desire to use wheel ramps to get the required side-to-side leveling.

If there is a difference in the weights on one side of the vehicle as compared to weights on the other side, components (tires, wheels, brakes, springs, etc.) on the heavier side could be overloaded, even though the total axle load is within the GAWR. It is important to redistribute the load to avoid component failure, as well as to improve the handling characteristics of the vehicle. With these actual weights, it is now possible to compare them against the GAWR, GVWR, and tire capacities. These actual weights are also what should be used to help determine the proper air pressure for the tires.

WEIGHING YOUR MOTOR HOME To Obtain Individual Axle and Gross Weights:



WEIGHING YOUR MOTOR HOME To Obtain Individual Wheel Positions Weights:

STEP 1S	STEP 3S
	
One Side Scale Weight _____ lbs. (Step 1S)	One Side Scale Weight _____ lbs. (Step 3S)
Calculate Other Side Weight _____ lbs. (Step 1 - 1S)	Calculate Other Side Weight _____ lbs. (Step 3 - 3S)
Tire Load (lbs.) _____ lbs. (See Note*)	Tire Load (lbs.) _____ lbs. (See Note*)
Inflation _____ psi. (See Note*)	Inflation _____ psi. (See Note*)

***NOTE:** Refer to the tire load charts published by the tire manufacturer to determine the proper inflation pressures recommended for single and dual axles equipped. Always inflate each axle set to the tire with the higher of the side-to-side loads.

Dangers of Overloading

Do not overload your RV. In addition to possible problems with tires, wheels, and springs, there can be problems of brake failure, drivetrain failure, wheel bearing failure, etc. Moreover, an overloaded RV uses more fuel, is harder to handle, and can lead to driver fatigue. If any component should fail, it could result in vehicle damage and/or loss of vehicle control. In addition to the above dangers, there are some states that require certain motor homes and RVs to utilize the Highway Patrol's weight scales to check for overloaded axle weights. Citations can be issued to violators.

Since you may load your motor home differently for different trips, loading and weight patterns will change. Periodically reweigh your motor home and log the weights in this chapter. Refer to your log as you prepare to load for future trips.

Loading Tips

- **Do not load heavy items on the bumpers.**
- **Make a loading diagram of your properly loaded motor home, and then weigh the properly loaded motor home. The loading diagram, your loading log and the loaded motor home weight will help you locate where specific items are stored, and will help speed the loading process.**
- **Secure and brace items so they won't move during travel. Generally, load heavier items lower.**
- **Fresh water and waste water weigh over eight pounds per gallon. Carry only as much water as needed for travel use or to balance the load, and whenever practical, empty the holding tanks before traveling.**
- **Store emergency items in a readily accessible location. As a minimum include a fire extinguisher, tools, first aid kit, rain gear, flashlight, highway warning devices, an electric cord with light, and sturdy gloves.**

 **CAUTION**

Modification of your vehicle by addition of racks not originally equipped by the manufacturer to carry additional equipment, vehicles or cargo will reduce your warranty coverage and may cause personal injury or property damage.

 **WARNING**

Do not store or carry LP gas containers, gasoline, or other flammable liquids inside your motor home.

TIRES

Your motor home is equipped with wheels and tires selected to match the capacity specifications of the chassis as designed by the chassis manufacturer. Under normal circumstances and with proper tire and chassis maintenance, you should receive thousands of miles of trouble-free service.

Some motor homes accumulate relatively few miles and therefore the tire age from the date of manufacture, not mileage, may become the main tire life determining factor. Motor home tires normally have a life of 5-7 years, depending on mileage. However, Fleetwood recommends periodic tire inspection by a reputable tire dealer regardless of tread depth.

 **NOTE**

When parking your motor home for an extended time, in storage or camping, you can extend tire life by parking each tire on a piece of plywood approximately 12 inches square.

Tire Inflation

For safety and maximum tire life, vehicle speeds must be proper, proper inflation pressure must be maintained, and tread depth and wear must be monitored. Properly inflated and maintained tires also contribute to overall motor home stability and safety. Refer to the tire section in your *Chassis Operator's/Owner's Guide/Manual* or

any tire manufacturer's information that may be provided in your *Owners' Information Package* for information on maintenance and tire care. If no information is provided please contact your local tire manufacturer's location for advice.

The maximum cold inflation pressures are stated on the tire sidewall. The recommended maximum tire inflation pressure for this coach is shown on the Federal Certification Tag located on the sidewall near the driver's seat. To maximize tire performance, consult with the tire manufacturer's guidelines or *Chassis Operator's/Owner's Guide/Manual* for recommended tire inflation pressure.

 **NOTE**

The tire pressures on your motor home were adjusted at the factory to the tire pressures specified on the Federal certification tag.

These pressures are specified at full gross vehicle weight and should be reset to match the weight of your motor home.

For maximum performance, tire manufacturers provide tire inflation pressure charts so you can match the tire pressures to the loads on your motor home.

For additional tire pressure information, consult the *Chassis Operator's/Owner's Guide/Manual*.

 **WARNING**

For safety and maximum tire life, check and adjust tire pressure (including the spare, if equipped) at the beginning of each trip and daily during the trip. Pay special attention to inside rear duals. Always check pressure when tires are cold, and do not bleed air out of warm tires. Follow the tire pressure instructions in the *Chassis Operator's/Owner's Guide/Manual* or the tire manufacturer's tire pressure chart.

 **NOTE**

Fleetwood recommends using a high quality tire pressure gauge for accurate, repeatable pressure readings.

 **NOTE**

Check the wheel lug nut tightness periodically. They could work loose during driving. Check the *Chassis Operator's/Owner's Guide/Manual* for correct lug nut torque and torquing procedure, and schedule.

Air Pressure

The most important factor in maximizing the life of your tires is maintaining proper inflation. Driving on a tire that does not have the correct inflation pressure for the load of the vehicle is dangerous and may cause premature wear, tire damage, and/or loss of control of the vehicle.

A tire that is underinflated will build up excessive heat that may go beyond the prescribed limits of endurance of the rubber and the radial cords. This could result in sudden tire failure. A tire that is underinflated could also cause poor vehicle handling, rapid and/or irregular tire wear, or an increase in rolling resistance which results in a decrease in its fuel economy.

Overinflation will reduce the tire's footprint or contact patch with the road, thus reducing the traction, braking capacity, and handling of the vehicle. A tire that is overinflated for the load that it is carrying will also contribute to a harsh ride, uneven tire wear, and will be more susceptible to impact damage.

Maintaining correct tire inflation pressure for each loaded wheel position on your vehicle is of the utmost importance and must be a part of regular vehicle maintenance.

Federal law requires that the tire's maximum load rating be molded into the sidewall of the tire. If you look on your tire's sidewall you'll see the maximum load allowed for the size tire and load rating, and the minimum cold air inflation pressure needed to carry that stated maximum load. Utilizing less air pressure means a lesser load can be carried by the tire.

The amount of air pressure you need to use depends on the weight of your fully-loaded vehicle. So, you cannot determine your correct air pressure unless you know your vehicle's actual weights.

Underinflation

When an underinflated tire is run at normal highway speeds, it flexes too much and builds up

heat. This heat damages the inner liner, casing and outer sidewall of the tire. If not remedied quickly, the tire will be irreparably damaged.

In extreme cases, the sidewall of the tire is destroyed, both from the excessive heat it endured and due to the weight of the vehicle pressing on the tire casing without the cushioning effect of the correct air pressure, and the crushing/cutting action of the wheel as it rolls on the underinflated sidewall. According to guidelines put out by the Rubber Manufacturers Association (RMA), any tire that has been run at less than 80% of recommended air pressure for the load it is carrying should be inspected for possible damage.

When one tire in a dual configuration comes out of service due to underinflation damage, the other tire in the dual configuration should be inspected immediately. If the unserviceable tire was underinflated, that means the serviceable tire was carrying more and more of the load for that wheel position. Consequently, it too may have suffered some casing damage.

Air Pressure Check

You should check the air pressure every two weeks or at least once each month and before any major trip. Your RV tires' air pressure should be checked every "drive" morning on long trips. On short trips of a day or less driving each way, your tires should be checked before you leave on your trip and again before you start your trip home.

Check your tires when they are "cold" and have not been driven for more than one mile. The stated load capacity for a given cold inflation pressure is based on ambient outside temperature. If you must check your tires when they are warm or hot, do allow for a slight increase in air pressure and make sure they are within a couple of pounds of each other on the same axle.

Frequently check tires. If a tire picks up a nail or screw that creates a slow leak and causes some air pressure loss, you might eventually spot it visually if it is a front tire. If it is an outside rear

dual, you might also spot it with a visual inspection. However, if it is an inside rear dual, the chances of spotting it without an air pressure check are very slim. If you begin driving without finding it, very quickly (in most cases a few miles) your outside rear tire next to the low air pressure tire is going to heat up from carrying double its load, which will cause both tires to fail.

Tire Replacement

Replacement tires must be the same size, type and tread depth per axle, and have at least the same weight carrying capacity as the original equipment. Tires supplied by various manufacturers of the same size and rating may not have the same weight carrying capacity and maximum cold inflation pressures. Consult your tire dealer. The original equipment wheels and tires supplied on your motor home have weight carrying capacities to support Gross Axle Weight Ratings (GAWR) as stated on the Federal Certification Tag attached in the driver's compartment.

If You Get a Flat Tire

In case of sudden tire failure:



NOTE

The motor home will tend to "pull" toward the side with the flat tire.

- *Apply the accelerator to maintain directional stability, then gradually release the accelerator.*
- *Use moderate brake pedal pressure. Do not pump the brake. The vehicle is equipped with Anti-lock Brakes (ABS) which will help control braking.*
- *Firmly hold the steering wheel while avoiding abrupt steering inputs and move slowly to a safe place.*
- *Park on a firm level surface.*
- *Turn off the ignition.*
- *Set the parking brake.*
- *Turn on the hazard flasher system.*

- *Ensure your passengers are safely located and children monitored.*
- *Get professional roadside assistance.*

Changing a Flat Tire

Even with good tire maintenance and normal driving, you may experience a flat tire. Summon professional help through your auto club, travel service, or a local truck service facility. Your motor home is not equipped with a jack or other lifting device. Do not attempt to lift the motor home with a jack. Consult the *Chassis Operator's/Owner's Guide/ Manual* for additional information on tire inflation and proper torque.



CAUTION

Wheels and tires equipped with your motor home are extremely heavy and may weigh 100 pounds or more. Do not attempt to remove the spare tire (if equipped) unless you are capable of handling the weight.



WARNING

To avoid personal injury and/or property damage if a blowout or other tire damage occurs, obtain expert tire service help. Do not attempt to change the tire yourself.

SEATS, SEAT BELTS AND AIR BAGS (If Equipped)

Seat belts help to restrain you and your passengers in case of a collision. In most states, the law requires their use.

Seat belts provide the best restraint when:

- *the seat back is upright*
- *the occupant is sitting upright (not slouching)*
- *the lap belt is snug and low on the hips*
- *the shoulder belt is snug against the chest*
- *the knees are straight forward*

WARNING

Make sure that you and your passengers, including pregnant women, wear safety belts. Be sure that lap belts fit snugly and as low as possible around the hips. If safety belts are not used properly, the risk of you or your passengers being injured in a collision greatly increases.

For your safety, your vehicle has combination lap and shoulder belts for the driver and front seat passenger and lap belts without retractors in all other designated seating positions.

Always drive and ride with your seatback upright and the lap belt snug and low across the hips to reduce the risk of serious injury to the abdomen or neck that could be caused by sliding under the safety belts in a collision.

Never let a passenger hold a child on his or her lap while the vehicle is moving. The passenger cannot protect the child from injury in a collision. Refer to sections on *Safety Restraints for Children* and *Safety Belts for Children*.

Never use a single belt for more than one person or across more than one seating position. This greatly increases the risk that one or both of the people will be injured in a collision. Each designated seating position in your vehicle has a specific seat belt assembly which is made up of one buckle and one tongue that are designed to be used as a pair.

Air Bag Supplemental Restraint System (SRS)

If your RV is equipped with Air Bag Supplemental Restraint System (SRS), please refer to your *Chassis Operator's/Owner's Guide/Manual* for any instructions supplied by the chassis manufacturer with respect to this system.

Combination Lap and Shoulder Belts

While your vehicle is in motion, the combination lap and shoulder belt adjusts to your movement. However, if you brake hard, corner hard or if your

vehicle receives an impact, the lap and shoulder belt locks and prevents you from moving.

WARNING

Use the shoulder belt on the outside shoulder only. Never wear the shoulder belt under the arm. Never swing it around the neck over the inside shoulder. Failure to follow these precautions could increase the risk and/or severity of injury in an accident.

To fasten the belt, pull the lap/shoulder belt from the extractor so that the shoulder portion of the belt crosses your shoulder and chest. Insert the belt tongue into the proper buckle until you hear a snap and feel it latch.

To tighten the lap portion of the belt, pull up on the shoulder belt until it fits you snugly. The belt should rest as low on your hips as possible.

A longer lap and shoulder belt assembly is available and is a direct replacement for the driver and front passenger positions. The longer lap and shoulder belt is made and tested to the same standards as the original belt. This belt assembly can be purchased and installed at any authorized Fleetwood motor home dealer.

Safety Belt Maintenance

Check your safety belt system periodically to make sure that it works properly and isn't damaged. If the webbing shows any wear, nicks or cuts, have it examined by a qualified technician to determine if replacement is necessary. Always have your safety belt system checked after a collision.

Safety Restraints for Children

In most states, you are required by law to use safety restraints for children. If small children ride in your vehicle, you must put them in safety seats that are made specially for children. Safety belts alone do not provide maximum protection for these children. Check your local and state laws for specific requirements.

Safety belts and seats can become hot in a vehicle that has been closed up in sunny weather, and could burn a child. Check seat covers and buckles before you place a child anywhere near them.

Children who are too large for child safety seats should always wear safety belts.

 **WARNING**

Never leave a child unattended in your vehicle. Always remove the key from the ignition and take it with you.

Safety Belts for Children

If the shoulder belt cannot be properly positioned so that it does not cross or rest in front of the child's face or neck, move the child to one of the seats with a lap belt only and use the lap belt.

Lap belts and the lap portion of lap and shoulder belts should always be worn snugly and below the hips, touching the child's thighs.

Children should use forward or rearward facing seat positions, not seated facing sideways.

 **WARNING**

If safety belts are not properly worn and adjusted as described, the risk of serious injury to the child in a collision will be much greater.

Children should always ride with the seatback in the fully upright position. When the seatback is not fully upright, there is a greater risk that the child will slide under the safety belt and be seriously injured in a collision.

Use a safety seat that is recommended for the size and weight of the child. Seat backs should be upright for use with child safety seats. Any objects in close proximity which may come into contact with the child in the event of an accident or sudden stop should be removed.

 **WARNING**

Place child safety seats only in forward facing (locked) seating positions equipped with a restraint system.

 **WARNING**

Carefully follow all of the manufacturer's instructions that come with the safety seat that you put in your vehicle. Make sure that the shoulder belt (if provided at the seating position where the safety seat is being used) does not cross or rest in front of the child's face or neck. If you do not install and use the safety seat properly, the child may be injured in a sudden stop or collision.

 **WARNING**

When using any infant or child restraint system, it is important that you follow the instructions and warnings provided by the manufacturer concerning its installation and use. Failure to follow the restraint manufacturer's instructions could increase the risk or severity of an injury in the event of a collision or sudden stop.

Child Seat Tethers

Some child seat manufacturers recommend the use of a top anchorage (tether) strap in addition to the lap belt. Since a top anchorage (tether) strap can provide additional security to a child seat, we recommend using a tether whenever one is required or available.

Your motor home is equipped with a child seat top anchorage (tether) strap anchorage point in the forward passenger seat location. In some models a secondary forward facing seat location may also have the anchorage for a tether strap.

You can visually identify the anchorage hardware by inspecting the lower rear of the passenger or secondary seat. A small metal anchorage rod will be present which will allow the tether strap hook to engage (see Illustration 1).

To use, with the seat in position, drape the tether strap over the seat back and down (see Illustration 2). Attach the tether strap hook to the tether

anchorage point and tighten the strap according to the child seat manufacturer's instructions. Make sure the strap is not twisted and that the forward facing seat is always positioned upright and locked in the forward facing position when the motor home is in motion.

WARNING

An incorrectly anchored tether strap could lead to seat failure and injury to the child. In a collision, the seat could come loose and allow the child to crash into the inside of the vehicle or other passengers, or even be thrown from the vehicle. Use only the specified anchor positions to secure a child restraint requiring top tether strap(s).

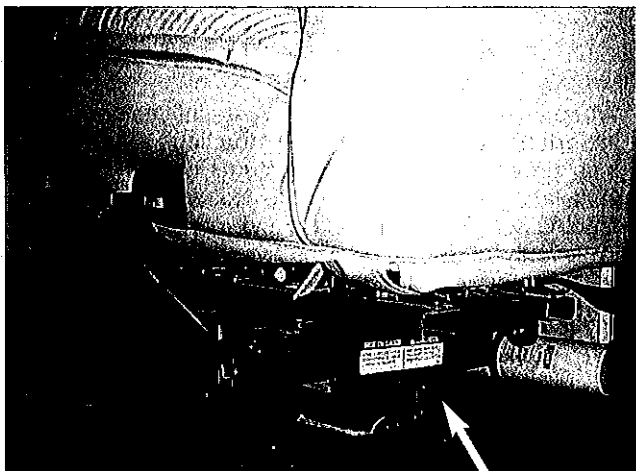


Illustration 1

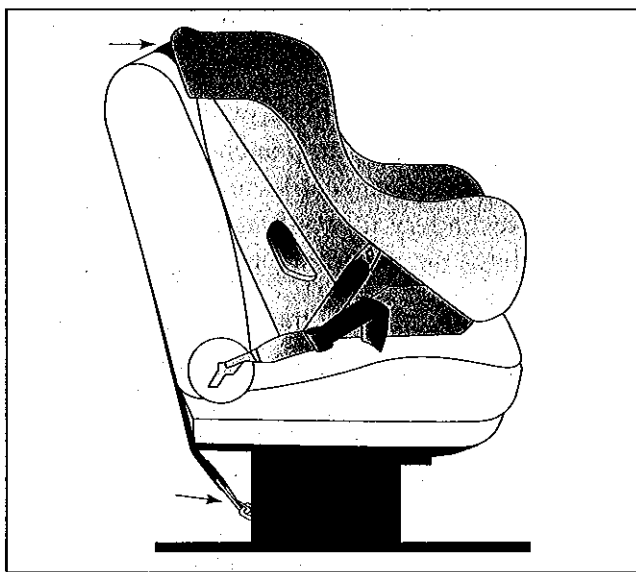


Illustration 2

DRIVING AND VEHICLE CONTROL

Driving your motor home will be different from driving your family car or truck. Your motor home is large and heavy. You may have to adjust or learn new driving techniques to safely operate your motor home.

Downhill driving puts extra strain on many drivetrain components of your motor home. The brakes are easily overloaded and overheated when used for downhill slowing. Brake fade will occur if the brakes overheat.

When driving down long grades, shift the transmission to a lower gear at the top of the grade. Rule of thumb: *Use the same lowest gear going down as it took to go up the hill.* Crest the hill in the lower gear. Monitor your speed.

Using the Engine to Slow the Motor Home

To use the engine as a braking force, select the next lower gear. Engine braking provides good speed control for going down grades. When the motor home is heavily loaded, or the grade is steep, preselection of a lower gear prior to the grade may be desirable.

Gear preselection means the selection of a lower gear to match the driving conditions you encounter or expect to encounter. Preselection will give you better control on slick or icy roads and on downgrades. Downshifting to lower gears increases engine braking. The selection of a lower gear often prevents cycling between a gear and the next higher gear on a series of short up-and-down hills.

MANEUVERING IN TRAFFIC

Be cautious when maneuvering to allow for the length and width of the vehicle. Always allow room to corner and to change lanes. Your vehicle's side view mirrors and rear view camera monitor (if equipped) will help you keep aware of your vehicle's position and the position of other vehicles

and/or obstructions near your motor home. You must monitor them constantly while you are driving. Become familiar with the operation of the side mirrors and learn to use them to view objects and the road beside and behind the motor home.

The rear view mirrors are controlled from a panel located on the driver's left side instrument panel. To adjust the mirrors, select either LEFT or RIGHT mirror and press the appropriate arrow. Activate the mirror heaters (if equipped) by pressing the HEATER position.

Remember that your motor home is heavier than a car, making it less maneuverable and harder to stop. Also, because of its greater side surface area, it is more easily affected by cross winds. Allow extra distances for passing and stopping.



NOTE

Although your motor home is equipped with power steering, the front wheels may be difficult to turn when at a dead stop. When maneuvering in some close situations, give yourself some room to move either forward or backward. The vehicle has to be in motion for the front wheels to be turned with ease.

Driving on winding or mountain roads is not difficult if done with reasonable care. Observe proper vehicle speeds when ascending or descending hills and always operate in the proper transmission range. Downshift on hills to avoid overheating or undue engine loads. Downshift when descending grades.

Engine compression and friction will help control vehicle speed, and relieve some of the strain on the brakes. Shift the transmission to a lower gear before starting down the grade.

Mountain driving or desert temperatures can put extreme demands on drive train components. Under extreme heat conditions you may need to turn off the vehicle air conditioner to improve engine and transmission cooling.

Be aware of the extra height of your motor home. Check for low hanging tree branches or other obstructions whenever you drive or park.

Avoid low overhangs when pulling in for service. Always check overhead clearances of overpasses and bridges. *This may be particularly important if you drive with the overhead vents open or if the motor home is equipped with a roof air conditioner, roof rack, CB or TV/radio/satellite antenna.*

Before leaving on a trip, check your route. Some tunnels prohibit motor homes with LP gas systems.

When parking parallel to a curb, be sure to allow for poles or obstructions as the front and rear portions of the motor home swing wider than an automobile. When parking on an incline, turn the front wheels into the curb in the direction of the roll to aid the parking brake. When parking, always shift the transmission to P and set the parking brake.

If you can't avoid operating, parking or idling your vehicle off-road:

- *Be aware that combustible materials could catch fire from the vehicle's hot exhaust system.*
- *Avoid driving your vehicle through or over combustible materials such as leaves, grass, vegetation or stubble high enough to touch, catch or collect on its hot exhaust system.*
- *Parking or idling should be done only in an area where there are no combustible materials under the vehicle.*

WARNING

Do not park or idle the motor home over combustible materials such as tall grass or dried leaves. Combustible materials may catch fire from the hot exhaust gases, soot or sparks that could escape through corrosion holes or cracks. This is particularly important if the exhaust system has not been properly maintained.

REAR VIEW VIDEO MONITOR (If Equipped)

If your motor home is equipped with rear view video monitor, the camera is located at the top

On The Road

rear of the motor home. The rear view picture is displayed on a screen in the driver's compartment. The monitor screen may be overlaid with a distance scale reference which gives approximate distance of objects to the rear of the motor home.

The rear view video monitor works in two modes:

Mode 1 – Standby (Indicator will be lit to green)

1. Turn on the ignition switch.
2. Shift the transmission to [R]everse.
3. Monitor on.

Mode 2 – On (Indicator will be lit to amber)

1. Turn on the ignition switch.
2. Monitor on.

Using the rear view video monitor will take practice. Always allow more space for maneuvering until you are comfortable with the system. Check the side-mounted mirrors often while driving and especially during lane changes and when backing up.

CAUTION

The rear view video monitor system provides a general view of the road and objects to the rear of the motor home. Your perception of this view and the relationships of objects to the motor home and each other will be different from that seen in a rear view mirror. Light conditions and the adjustment of the screen controls will also affect your perception. Always use the side-mounted rear view mirrors with the video monitor system.

The camera lens is exposed to road dirt and will get dirty. When necessary, clean the camera lens and monitor screen with a quality glass cleaner and nonabrasive cloth or towel.

BODY UNDERCOATING

Certain chassis and underbody components of your motor home have been coated with an undercoating material. This material is intended to assist in protecting these components from corrosion or other effects of weather and road

conditions. Please be aware that certain areas of the motor home do not have undercoating applied, in keeping with good engineering practice, and to meet the requirements of chassis manufacturers.

FUEL AND FUEL SYSTEMS

See the *Chassis Operator's/Owner's Guide/Manual* in the *Owner's Information Package* for chassis engine fuel recommendations. The standard generator is designed to run on the same fuel as the chassis engine, or on LP gas. Consult the generator operating instructions for special cautions about maintenance with different types of fuels.

Modern fuel systems may build up vapor pressure within the tank as the fuel warms during use or hot weather. Under certain conditions, sudden release of this pressure when removing the fuel cap can cause fuel to spray from the fill opening, creating a fire hazard.

WARNING

When removing the fuel fill cap, rotate it slowly only far enough to allow the pressure to release. After any "hissing" sound stops, remove the cap completely.

To protect the fuel system from excessive pressure or vacuum, or from sudden release of pressure, replace lost or damaged fuel fill caps with caps of the same design which are available from your Fleetwood motor home dealer.

Clean up fuel spills immediately. Fuel spilled on the motor home could damage the exterior finish, and is a serious fire hazard.

Safe Refueling Guidelines

Here are some refueling safety guidelines that will help keep you and your family safe when refueling your vehicle.

- **Turn off your vehicle engine while refueling. Put your vehicle in park and/or set the emergency brake. Disable or turn off**

any auxiliary sources of ignition such as heater, cooking units or pilot lights.

- *Do not smoke, light matches or lighters while refueling at the pump or when using gasoline anywhere else.*
- *Use only the refueling latch provided on the gasoline dispenser nozzle – never jam the refueling latch on the nozzle during refueling.*

WARNING

Certain fabrics, clothing and/or shoe apparel may potentially create an electrostatic charge, which may not immediately discharge upon exit of your motor home.

During refueling, the static may discharge at the fill point, causing a flash fire or small-sustained fire with gasoline vapors.

In order to avoid this from occurring always first touch a metal part of the vehicle with a bare hand, such as the door, or some other metal surface away from the fill point.

- *In the unlikely event a static-caused fire occurs when refueling, leave the nozzle in the fill pipe and back away from the vehicle. Notify the station attendant immediately.*
- *Do not over-fill or top-off your vehicle tank, which can cause gasoline spillage.*
- *Avoid prolonged breathing of gasoline vapors. Use gasoline only in open areas that get plenty of fresh air. Keep your face away from the nozzle or container opening.*
- *Always re-install the fuel cap correctly before departing.*



NOTE

Fuel for the generator is taken from the main fuel tank through a special feeder tube which is higher in the tank than the feeder tube to the motor home engine. This arrangement prevents the generator from running the motor home fuel tank dry.

Fuel Types and Driveability Issues

Your motor home's automotive fuel and emissions systems are sophisticated and engineered to meet Federal and State emissions standards. They are sometimes sensitive to fuel types and blends, particularly fuels blended for certain altitudes and climates. Fuel suppliers provide customers with the correct fuel for their location and seasonal conditions. Sometimes, though, fuel blended for winter is supplied during summer months.

API REFUELING ADVISORY

The American Petroleum Institute (API) offers the following consumer advisory and safety guidelines on vehicle refueling to help consumers avoid potential problems with refueling and static electricity.

One of many possible causes of static electricity build-up is reentering your vehicle during refueling, particularly in cool or cold and dry climate conditions. This can cause a build-up of static electricity similar to shuffling your feet on the carpet when the air in your home is dry. If you return from your vehicle interior to remove the filling nozzle without discharging the static build-up, in rare circumstances, a brief flash fire could occur at the filling point if the static discharges and the resulting spark ignites gasoline vapors around the fill spout.

A simple precaution to help avoid this potential problem is to stay near the vehicle's fueling point. Do not get back into your vehicle during refueling – even when using the nozzle's automatic hold-open latch. If you must reenter your vehicle, discharge the static electricity build-up when you get out by touching the outside metal portion of your vehicle, away from the filling point, before attempting to remove the nozzle.

ENGINE FAN

When the engine is under load or requires maximum cooling, the engine fan turns faster. The fan may become noisy at high speed and when

On The Road

maximum cooling is required. High speed fan noise can sometimes be misinterpreted as transmission slippage. This is not the case. This fan noise indicates that the fan is doing what it is supposed to do. This noise is not a defect in the fan or the transmission.

EXHAUST SYSTEM HEAT

Your motor home engine has been designed to conform to Federal and State emission requirements. To meet these requirements, engine operating temperatures are high. As a result, the engine, transmission and exhaust systems radiate heat.

Heat shields are built into your motor home to protect wiring and other components from possible heat damage caused by the exhaust system. Do not remove these shields, modify the exhaust system, or add additional equipment, such as wiring, plumbing, or other components, which may be effected by exhaust system heat.

ENGINE TEMPERATURE GAUGES

Engine temperature gauges typically have been calibrated to indicate a midrange reading as the "normal" operating temperature. As a motor home owner, be aware that the gauge is intended to provide a warning of any rapid change in engine coolant temperature from the "normal" reading of the gauge rather than an absolute temperature reading.

CARBON MONOXIDE SAFETY PRECAUTIONS

Carbon monoxide is a colorless, tasteless, odorless gas. It is a by-product of the burning of fossil fuels (gasoline, LP gas, diesel fuel, etc.). The chassis and generator engines, furnaces, water heater, LP gas refrigerator and range in your motor home produce it constantly while they are operating. **CARBON MONOXIDE IS DEADLY.** Please read and understand the following precautions to protect yourself and others from the effects of carbon monoxide poisoning.

Beware of the symptoms of exhaust gas (carbon monoxide) poisoning:

Dizziness

Vomiting

Nausea

Muscular twitching

Intense headache

Throbbing in temples

Weakness and sleepiness

Inability to think clearly

WARNING

Do not under any circumstances operate any engine or the cooking stove or range while sleeping. You would not be able to monitor outside conditions to assure that engine exhaust does not enter the interior, and you would not be alert to exhaust odors or symptoms of carbon monoxide poisoning.

WARNING

Exhaust gases are deadly. Do not block the tailpipes, or exhaust ports, or situate the vehicle in a place where the exhaust gases have any possibility of accumulating either outside, underneath, or inside your vehicle or any nearby vehicles. Outside air movements can carry exhaust gases inside the vehicle through windows or other openings remote from the exhaust outlet. Operate the engine(s), carbon monoxide-producing systems or components only when safe dispersion of exhaust gases can be assured. Monitor outside conditions to be sure that exhaust continues to be dispersed safely.

If you or others experience any of these symptoms, get out into fresh air immediately. If symptoms persist, seek medical attention. Shut down the unit and do not operate it until it has been inspected and repaired.

Carbon Monoxide Detector/Alarm

Your motor home is equipped with a carbon monoxide (CO) detector/alarm.

If the detector/alarm sounds, it is an indication that unacceptable levels of carbon monoxide gas

are present. This may occur in traffic concentrations or in campgrounds where other vehicles as well as your motor home are contributing to the carbon monoxide level in the surrounding air. Sounding of the detector/alarm does not indicate a faulty detector/alarm. The detector/alarm is doing its job of warning you of potentially high concentrations of carbon monoxide.

Test the CO detector/alarm after the motor home has been in storage, before each trip, and at least once a week during use. Please refer to the materials included in your *Owner's Information Package*.

EMERGENCY TOWING

The preferred emergency towing methods are either an under reach wheel lift device or a flat bed trailer. Most tow truck operators willing to tow motor homes will be familiar with these devices. Be prepared to give the tow truck operator at least the following information when you call:

Length and height of motor home

Chassis manufacturer

Gross vehicle weight rating

CAUTION

Do not tow the motor home from the rear. Towing from the rear will cause serious overloading of the front tires and suspension, possibly resulting in tire or front suspension failure. The rear frame extensions are not designed to withstand the load imposed by lifting from the rear.

WARNING

DO NOT crawl under or place any part of your body under a vehicle that is being lifted. Stand clear of all towing equipment and the vehicle being lifted.

The vehicle must be towed from the front, either on the rear wheels (if operational) or on a heavy duty dolly. Consult your *Chassis Operator's/Owner's Guide/Manual* for any available instructions. Contact the chassis assistance center prior to calling a tow company to receive tow instructions and possible assistance with coordinating the tow.

To prepare your motor home for towing:

1. Secure any loose or protruding parts of the disabled vehicle, if any.
2. Secure any heavy, loose items in the interior.
3. Turn off LP gas appliances and the LP gas tank valve.
4. Do not allow any person to ride in the towed vehicle.

Ford chassis assistance:

1-800-444-3311

Workhorse chassis assistance:

1-877-294-6773

Freightliner chassis assistance:

1-800-385-4357

**Chevrolet Division of General Motors
chassis assistance:**

1-800-222-1020

This page intentionally blank.

LIVING WITH YOUR MOTOR HOME

HYDRAULIC LEVELING SYSTEM (If Equipped)

Controls for the leveling system are located in the driver's compartment. A detailed operating and maintenance guide is included in your *Owner's Information Package*. Read all instructions for this system carefully before operating the system.

ELECTRIC LEVELING SYSTEM (If Equipped)

Your motor home may be equipped with an electric leveling system. It is important that you follow the detailed operating instructions provided by the manufacturer located in your *Owner's Information Package*. If you have any questions or concerns, please call your Dealer, Fleetwood or the manufacturer directly.

WARNING

The leveling system is designed as a leveling system only. Do not use the system as a jack or with a jack. Do not attempt to raise the tires off the ground. The system should be used to raise the recreational vehicle to the lowest level position possible.

POWER ENTRY STEP (If Equipped)

The power entry step is controlled by the ignition switch and by a switch near the entry door. Power for the entry step is supplied by the chassis battery. The battery must be connected for the step to operate as described below. The step has a "last out" feature. With the door closed, the step power switch OFF, turn the ignition switch ON. The step will retract. Turn OFF the ignition, open the door and the step will extend and lock in the OUT position. The step also has an *ignition override* feature. If the door is closed (as though ready to depart) with the step extended, the step will automatically retract when the engine ignition is switched ON. This prevents driving with the step extended. The switches operate the step according to the following table.

WARNING

Under certain conditions, the step may not extend using the last-out feature. Always look and be sure the step is extended before exiting the motor home.

WARNING

If door is opened and closed without allowing the step to fully extend and lock in the out position, the step will retract and lock in the up position.

Refer to the power step Owner's Manual in your *Owner's Information Package* for details on maintenance and lubrication.

Ignition Switch Position	Step Switch Position	Step Position/ Action
OFF	ON	Step extends and retracts with the opening and closing of the door.
OFF	OFF	Step is inactive. Will not move regardless of door movement.
ON	ON	Step extends and retracts with opening and closing of door.
ON	OFF	Step extends and retracts with opening and closing of door. If step is extended when ignition is turned ON, step will retract.

ENTRY AND SCREEN DOORS

The main entry door uses a latching system similar to that used in automobiles. It has a secondary latch as well as a primary latch. When closing the door, be sure to close it firmly to engage the primary latch. This will ensure that the door is fully closed. **When traveling, always lock the deadbolt.**

The screen door may be separated from the main entry door by depressing the catch or releasing the magnet. A holdback mechanism can be used to secure the main door against the side of the motor home.

Living With Your Motor Home

PATIO AWNING (If Equipped)

An operating and maintenance guide for your awning is included in your *Owner's Information Package*. It contains complete instructions for opening and closing the awning, as well as maintenance and care instructions.

WINDOWS

Windows in your motor home are either slider or torque pane type. Open slider windows by rotating the locking lever and sliding the window. Open and adjust torque windows by turning the knob or crank located at the bottom of the window frame.

On your ventilating windows, water is trapped by the frame. During a heavy downpour or washing, water may be seen in the lower portion of the frame. The sloping sill and weep slots allow the water to drain to the outside. These weep slots must be kept open.

Damage or failure resulting from misuse, including the application of after-market tinting, is the owner's responsibility.

If water collects in the bottom channel and overflows, check the weep slots for debris and obstructions and clean as necessary.

Damage or failure resulting from misuse, including the application of after-market window tinting, is the owner's responsibility.

✓ **NOTE**

Screens are not removable for cleaning. They may be pushed out of their frames if the window must be used for emergency exit. In this case, the screens will be destroyed and will probably have to be replaced.

Emergency Exit Window(s)

Emergency exit windows are identified by the red handles and EXIT label. Storm windows should never be installed over emergency exit windows.

Read and understand these instructions before you need to use them. The emergency exit win-

ow provides an escape route in case the motor home must be evacuated under emergency conditions. To operate the emergency exit window, either:

- Pull the red handle and remove the screen, or;
- Lift the red latch to release the window. Slide it completely through the slot so the window swings free.

When parked, be sure the exit window is not blocked by trees or other obstacles.

REMOTE MIRROR CONTROL (If Equipped)

Your new motor home may be equipped with the optional power mirror. The driver's control panel also contains controls for the exterior rear view mirror adjustment and heater, if equipped.

To adjust the mirrors, select either LEFT or RIGHT mirror and press the appropriate arrow. Activate the mirror heaters by pressing the HEATER control.

In the event the power mirror option was not selected and added, manual adjustment of the mirrors is required to provide a view of the sides and rear of the motor home.

SUN VISORS

Sun visors at the driver and passenger positions swing down and are adjustable to provide relief from glare and bright sun. Your motor home may also be equipped with side shades mounted on the side windows that can be adjusted to suit driving conditions. Swivel tension may be adjusted with a screwdriver at the tension adjusting screw.

WINDOW SHADES (If Equipped)

To raise blinds or shades:

Release bottom of blind from retainer.

Pull straight down on cord and release at desired height.

It is not necessary to pull the cord to one side or the other to secure blind.

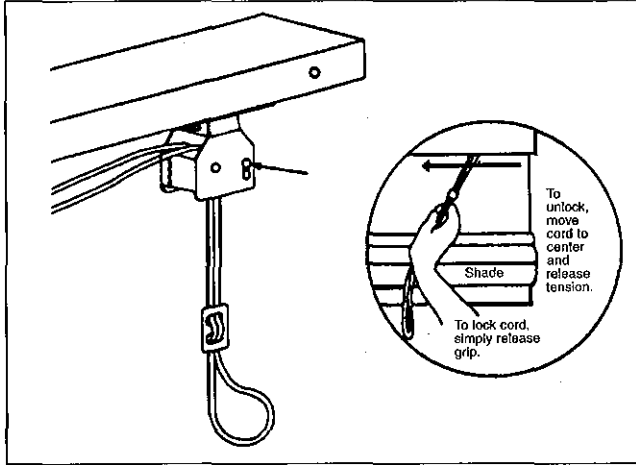
To lower:

Pull straight down on the cord slightly, and move it about 45 degrees to either the left or right and lower the blind.

Stop the blind in mid-travel by moving it back to the straight down position.

Reattach the retainers when traveling.

To adjust the angle, turn the adjusting rod either direction.



Day/Night Shades (If Equipped)

The day/night shades are dual-purpose window covering that provide privacy at night and light control during the day.

To operate them, pull down on the lower bar to expose the sheer fabric for daytime light control. For use at night, pull on the upper bar to unfold the privacy curtain.

MINI-BLINDS (If Equipped)

To raise mini-blinds:

Release bottom of blind from retainer. Pull straight down on cord and release at desired height. It is not necessary to pull the cord to one side or the other to secure blind.

To lower mini-blinds:

Pull straight down on the cord slightly, and move it about 45 degrees to either the left or right and lower the blind. Stop the blind

in mid-travel by moving it back to the straight down position. Re-attach the retainers when traveling.

To adjust the angle:

Turn the adjusting rod either direction.

STORAGE

Exterior Compartments

Exterior storage compartments should accommodate most of your storage needs. All of the storage compartments, except the LP gas tank compartment, can be locked. Fire prevention regulations require that the LP gas tank compartment be unlocked at all times.

Please note: Your motor home could be overloaded or out of balance if not properly loaded. Refer to the *Motor Home Loading* section of the *On The Road* chapter of this manual, and follow the loading and weighing instructions in that section. When storing equipment and supplies:

- Always keep tools and equipment stored in areas where they will not shift while traveling.
- Whenever possible, place heavy articles in storage compartments which are low and in the best location for weight distribution. Pack articles carefully in the storage compartments to minimize shifting. If necessary, use straps to prevent movement.
- Be sure liquid containers are capped and cannot tip or spill.
- Secure all glass containers and dishes before traveling.
- Exterior storage compartments may not be watertight in all conditions. Carry any articles which could be damaged by water inside the motor home.

WARNING

Do not store flammable, volatile liquids or hazardous chemicals inside the motor home or in outside storage compartments. Toxic fumes from these liquids or chemicals may enter the interior of the motor home.

Living With Your Motor Home

Interior Storage

The closets and cabinets have catches along one edge of the door. Pull on the cabinet door handle to open. Overhead doors have supports to hold them open. Drawers rest in notches when they are closed. To open drawers, lift up slightly, then pull open.

Closets may be equipped with 12-volt lights that turn ON when the closet door is opened. Be sure the light goes OFF when the closet door is closed—your battery will be discharged if it stays ON. If the light stays on when the door is closed, the door switch requires adjustment.

The same loading considerations apply to interior storage areas as to exterior. Consult the *Motor Home Loading* section in the *On The Road* chapter.

SLIDE-OUT ROOMS (If Equipped)

Your new motor home may be equipped with an optional slide-out room. The slide-out room(s) are designed to provide additional living space.

A detailed operating and maintenance guide is included in your *Owner's Information Package*. Read all instructions for these systems carefully before operating the slide-outs.

In some installations it may be necessary to slide the driver's seat to the full forward position and place the seat back in the full upright position prior to moving the slide-out room in or out to prevent the room from striking or rubbing against the seat back.

Always exercise caution when operating the slide-out room.

- Always be certain that there is plenty of clearance for your room to safely extend to the full outward position.
- Remove any other potential obstructions to room movement.

For operation of the slide-out room the following is required:

- Park the RV and level it for stationary use.
- Ignition on (engine running)
- Transmission in park
- Parking brake engaged
- Slide-out key or switch activated



NOTE

Under wet/snow weather conditions, after retracting the slide-out room(s), it may be necessary to towel off moisture from the end walls.

CAUTION

Never attempt to move your motor home with the slide-out room(s) extended. Damage can occur to the slide-out or motor home.

CAUTION

In case of a power failure, the slide-out room can be retracted manually. Be sure to understand the operation as explained in the slide-out systems Operations Manual in the *Owner's Information Package*.

INTERIOR AND FURNISHINGS

The materials used inside your motor home have been selected for durability and comfort. With reasonable care, these materials will stand up under years of recreational living. The *Maintenance* chapter in this manual outlines care requirements for the various upholstery fabrics, floor, cabinet, and wall finishes.

Dinette Conversion (with Built-in Table)

To convert the dinette into a bed:

1. Remove cushions.
2. Lift table, reach underneath, unlatch and fold the leg(s) up under the table top, or remove the table leg(s) and if necessary, store them between the seats.

3. Raise front portion of table several inches to disengage inserts from the wall supports.
4. Lower table top to the dinette frame to complete the bed base.
5. Slide seat and back cushion into place over the bed base.

The under-seat storage may be reached by raising the cushion platform.

Dinette Conversion (with Free-Standing Table)

To convert the dinette into a bed:

1. Lift table, reach underneath, fold up the legs under the table top. Secure the legs.
2. Lower table top to the dinette frame to complete the bed base.
3. Slide the seat and back cushion into place over the bed base.

The under-seat storage may be reached by raising the cushion platform.

Sofa Conversion (If Equipped)

To convert a sofa bed into a bed:

1. Remove sofa bolsters (if applicable).
2. Lift front of sofa seat (above front kick panel) up and out. The back of the sofa will drop back and down as the seat is pulled outward.

To restore the sofa/lounge:

1. Lift the front edge of the sofa seat up, and push it back towards rear. The sofa back will come up.
2. Push the sofa fully into position.

Sleeper Sofa Conversion (If Equipped)

To convert a sleeper sofa into a bed:

1. Remove sofa cushions.
2. Lift front of sofa seat (above front kick panel) up and out. While lifting the seat

out, the middle legs will automatically unfold into a vertical position.

3. Pull upward on the center of the metal bar, and rotate it down slowly until the wood bars rest on the floor.

To restore the sleeper sofa:

1. Lift the front edge of the bedframe up and rotate it back.
2. Lift the middle section of the bed up and push it back towards the rear until the bed is fully into position.
3. Replace the cushions.

Free-Standing Furniture (If Equipped)

Your motor home may be equipped with free-standing furniture. Fleetwood has designed retention hardware which will secure any loose furniture during travel. Always secure any furniture or loose articles before moving the motor home. Failure to do so could result in damage to your furniture and motor home, as well as result in personal injury or death in the event of an accident or emergency maneuver.

WARNING

Loose furniture must be secured before travel. Failure to do so may result in injury or death in the event of an accident or emergency maneuver.

Folding Doors/Privacy Curtain Dividers

The dividers allow you to separate areas in the motor home. They glide on nylon rollers. They are held closed by a catch. When the dividers are open for traveling, be sure to attach the hold back latch to keep them from sliding back and forth.

Interior Lighting

Both decorative and 'utility' style 12-volt lighting fixtures may be used in your motor home.

Living With Your Motor Home

Utility style fixtures may be either single or dual. A slide switch selects either single or dual brightness. For your convenience, some lights are operated from wall switches. Clean the lenses with soapy water.

CAUTION

Some of the lighting fixtures may be equipped with halogen bulbs. The bulbs and fixtures may get very hot when they are on. Do not touch these lighting fixtures when they are on. Allow them to cool before attempting to replace a bulb or to clean. Replace all light bulbs with the same type and wattage as originally installed or as indicated on the fixture.

Overhead Vents

Overhead vents may be located in the galley and bathroom areas for fresh air circulation and exhausting heat, odors and water vapor.

Turn the crank in the center of the overhead vent to open and adjust. Some vents may also be equipped with a 12-volt fan. A switch controls fan operation. Be sure to turn the fan OFF before closing the vent. Some vents may be connected to a wall switch.

Close the overhead vents or lower them before traveling to avoid damage from wind and low overhead clearances.

The vent may be cleaned from the top of the motor home. Use soapy water on the vent cover. The screens may be vacuumed or lightly brushed to remove accumulation of leaves or other debris.

Lubricate the gears and mechanism yearly with a light, water resistant grease.

Folding Chairs (If Equipped)

In some models, folding chairs are provided for your convenience. Store these chairs in an appropriate compartment when traveling to avoid personal injury or damage.

WARNING

Do not sit on folding chairs while the vehicle is in motion. Personal injury may result.

MONITOR PANEL

The monitor panel allows you to conveniently check the approximate levels in the holding tanks, LP gas tank and to check battery condition(s).

Electrical probes installed in the tanks measure the levels at various points in the tanks.

NOTE

If the sensor probes mounted in the tanks get coated with grease, the monitor panel may indicate falsely or not at all. Avoid pouring grease, oils or similar substances down drains or the toilet. If this is unavoidable, the holding tank(s) should be washed out with a soapy water solution. See your dealer for additional information.

To check tank levels:

Press LP GAS, FRESH WATER, GRAY or BLACK TANK switches.

The E or empty indicator light will always be lit when the rocker or touch switches are depressed. If the tank is full, all lights will be on. Lights are sequential, and indicate levels in approximately 1/3 or 1/4-tank increments depending on monitor or panel design. If the tank selected is approximately 1/2-full, for example, lights E, 1/4 and 1/2 will be on.

Erroneous tank level indications can be caused by:

- a. Water with low mineral content. The level is measured by a very low level electrical signal traveling through the liquid. Some water may not conduct the signal properly. This condition may be infrequent, but can exist. Check the panel reading when the fresh water tank is filled.

- b. Material trapped on the holding tank probes may give a full reading when the tank is actually empty.

To check the battery charge:

1. Shut off all charging sources, engine, generator, and disconnect the 120-volt power cord to turn off the converter.
2. Press BATTERY rocker switch on the panel.
3. Turn on a light or any 12-volt appliance. The battery must be checked with a load.
4. Read battery condition on the indicator.

EFFECTS OF PERMANENT OCCUPANCY

Condensation and How to Control It

You need to understand how to properly manage and control the humid conditions and condensation that you may experience.

RVs are much smaller than a house, and are tightly built. This means that the interior air will become saturated with moisture more quickly than in a typical house. The routine activities of a few people can put a lot of water into the air. In cold weather, this moisture may become visible as condensation.

Condensation happens naturally. Just as moisture collects on the outside of a glass of cold water during humid weather, moisture can condense on the inside surfaces of your RV during cold weather when the humidity of the interior air is high.

Water vapor will condense on the inside of the windows and walls. In really cold weather, frost or ice may appear. *It may also condense out of sight within the walls or the ceiling.* If enough water collects in the wall or ceiling materials, it may cause water stains on the wall or ceiling surface. You might think that your walls or ceiling are leaking. You have a problem with condensation if you see these signs. You need to do something to reduce the moisture inside your RV.



NOTE

Your RV is not designed to be used as permanent housing. Use of this product for long term or permanent occupancy may lead to premature deterioration of structure, interior finishes, fabrics, carpeting and drapes. Damage or deterioration due to long term occupancy may not be considered normal, and may under the terms of the warranty constitute misuse, abuse, or neglect, and may therefore reduce your warranty protection.

Here are some frequently asked questions about condensation and some answers that will help you understand more about your RV and how to keep it comfortable.

Q. – In cold weather, my windows and walls look like they're sweating. Is that condensation?

A. – Yes. Your windows are a good way to know if the humidity in your RV is too high. All air contains water vapor. When air is warm it can hold much more water vapor than when it is cold. When the air cools, the water vapor "condenses" back to a liquid. Since your windows are usually cooler than the air, the water collects on the surface of the glass.

Q. – Where does all the water come from?

A. – Moisture in the air comes from many sources. Some of the most common are:

Cooking – Meals prepared for a family of four can add up to a gallon of water per day into the air from cooking.

Bathing – An average shower can put between ¼ - ½ pounds of water into the air.

Dishwashing – Doing the dishes for a typical day's meals can add up to one pound of water to the air.

Floor mopping – When an 8' x 10' kitchen floor is mopped and rinsed, almost 2½ pounds of water can be released into the air.

Clothes drying – After 10 pounds of clothes have been washed and spin-dried in a

Living With Your Motor Home

washer, they still contain about 10 pounds of water. If these clothes are dried inside, that water is released into the air in the RV.

Gas appliances – When LP gas is burned, carbon dioxide, nitrogen and water are given off into the air. For every 1000 cubic feet of LP gas burned, nearly 88 pounds of water is released into the air.

Humidifiers – Humidifiers are designed to put moisture into dry air – up to two pounds per hour. So in a 24-hour period, an uncontrolled humidifier can put almost 50 pounds of water into the air.

House plants and aquariums – Plants give off almost as much water as you put on them. Open aquariums permit higher rates of evaporation than closed types.

People and animals – A large source of water in the RV is the inhabitants themselves. A family of four can put up to 12 pounds of water into the air per day through breathing and perspiration.

As you can see, just the normal course of living adds a great deal of water to the air.

Q. – What will all this water do to my RV?

A. – The least it will do is fog your windows. If it is really cold outside, frost or even clear ice could form on the inside of the glass.

Excessive moisture in the air could show up as water running down or dripping off walls, ceilings or fixtures. It may look like your roof or windows are leaking. This water may stain woodwork, carpeting, ceiling panels or even furniture.

But the most damage is caused by water you can't even see. Water will penetrate almost any material – except glass and metals. Water vapor in the air always wants to move toward dry air. Scientists call this “vapor pressure” action. It will go through walls, floor covering, plywood, paint – just about anything. The water that

gets trapped in these materials can cause warping, mildew, paint failure and rotting.

The damage caused by excessive humidity can be invisible, and worse, expensive to fix. Please remember that this damage is not covered under the warranty.

Q. – What can I do to reduce or eliminate condensation problems in my RV?

A. – The two most important things are:

Reduce moisture released into the air and increase ventilation

To reduce moisture released inside the RV:

1. Run the vent fan when cooking and the bath vent fan (or open the bath vent) when bathing.
2. Avoid making steam from excessive boiling or use of hot water.
3. Remove water or snow from shoes before entering to avoid soaking the carpet.
4. Avoid drying clothes inside (except in the dryer, if equipped). The water drying out of the clothes goes into the air.
5. Vent appliances to the outside. Your clothes dryer should always be vented according to the dryer manufacturer's installation instructions. (Some dryers are designed to be ventless and do not require a vent to the outdoors.) Check the vents periodically to be sure they are not blocked.
6. If you operate or use vaporizing inhalers, or similar devices, always provide adequate ventilation.

CAUTION

Do not heat the RV interior with the range or oven. Open flames add moisture to the interior air. Do not use an air humidifier inside the RV. Water put into the air by the humidifier will increase condensation.

WARNING

Never use open flame gas or kerosene-burning heaters indoors. These devices release water into the air, and the exhaust gases contain poisonous substances.

WARNING

Do not cover emergency exit window(s). This window must be left accessible at all times for emergency exit.

To increase ventilation:

1. Use the kitchen and bath exhaust fans, if equipped, when cooking or bathing. Let them run for a while after a bath or meal.
2. Ventilate with outside air. Partially open one or more roof vents and/or windows to provide circulation of outside air into the interior. While this ventilation will increase furnace heating load, it will greatly reduce, or eliminate, condensation. Even when it is raining or snowing, outside air will be far drier than interior air and will effectively reduce condensation.
3. Do not tape windows or doors closed. This will prevent any air movement and will make the condensation problem worse.
4. Ventilate closets and cabinets. During use in cold weather, leave cabinet and closet doors partially open to warm and ventilate the interiors of storage compartments built against exterior walls. The air flow will warm the exterior wall surface, and reduce condensation, and prevent possible ice formation. Avoid crowding closets or wardrobe space. Overstuffed closets restrict air flow.
5. Stock kitchen and bath cabinets to allow free air circulation.
6. Open window coverings and windows as often as possible and convenient.

7. Control the interior heat. Here are some tips on controlling humidity with heat:
 - *Keep registers and the furnace blower clean and unobstructed. This helps air circulation.*
 - *Do not operate a humidity device on your furnace.*

Dripping Ceiling Vents

During cold weather condensation frequently forms on ceiling vents and may even accumulate to the point of dripping onto the surfaces below. This is frequently misinterpreted as a “leaking” roof vent but is most often condensation drip-page. Follow the preceding steps to control moisture condensation, and protect surfaces with plastic sheeting until the moisture has dissipated.

IMPORTANT INFORMATION

Mold is a fungus that occurs naturally in the environment and serves necessary functions including aiding in the decomposition of plant and other organic material. Mold spreads by means of microscopic spores borne on the wind and is found everywhere life can be supported. Mold has existed for millions of years, and human beings have coexisted despite their exposure to mold and mold spores.

If the proper conditions are present, mold can and will grow in your recreational vehicle. Most RV owners are familiar with mold growth in the form of bread and cheese and on bathroom tile. In order to grow, mold requires a food source. These food sources might be supplied by items found in the RV such as fabric, carpet, wallpaper, or building materials (i.e., wood, and insulation). Also, most mold growth requires a temperate climate. The best growth occurs at temperatures between 40°F and 100°F. Most importantly, mold growth requires moisture, and moisture is the only growth factor that can be controlled. By minimizing interior sources of moisture, an RV owner can reduce or prevent mold

Living With Your Motor Home

growth. However, if optimal growth conditions persist, mold can develop within 24 to 48 hours.

Moisture in the RV can stem from a variety of sources such as spills, leaks, overflows, condensation, damp or standing water and human activity such as showering or cooking. Good maintenance practices are essential in the effort to prevent or reduce mold growth.

What the RV Owner Can Do

The RV owner can take positive steps to reduce the occurrence of mold growth in the RV and thereby minimize any possible adverse effects that may be caused by mold.

These steps may include, but are not limited to, the following:

- Before bringing items into the RV check for signs of mold. Potted plants (root and soil), furnishings, or stored clothing and bedding materials may also contain mold spores.
- Regular vacuuming and cleaning will help reduce levels of settled mold spores. Additionally, detergent solutions and most tile cleaners are effective in controlling mold growth on surfaces.
- Keep the humidity in the RV below 40%. Ventilate kitchens and bathrooms by opening windows, using exhaust fans, or running the air conditioning to remove excess moisture in the air and to facilitate evaporation of water from wet surfaces. In general, windows or doors through out the RV should be opened periodically to ventilate the RV.
- Promptly clean up spills, condensation, and other sources of moisture. Thoroughly dry any wet surfaces or material. Do not let water pool or stand in or under your RV.
- Inspect for leaks on a regular basis. Look for discolorations or wet spots. Repair any leaks promptly. Inspect condensation pans (refrigeration and air conditioners) for

mold growth. Take notice of musty odors and any visible signs of mold growth.

Other actions the RV owner can take to prevent moisture issues include the following:

- Do NOT use unvented propane, kerosene, or other unvented combustion heaters;
- Do NOT cover or close off the floor registers (if equipped);
- Check your cooling equipment filter on a monthly basis;
- Use the air conditioner or a dehumidifier during humid months, particularly during the summer in hot, humid climates;
- Use exhaust fans in kitchen and bathrooms to remove excess moisture;
- Clean the bathroom with mold-killing products

For more information about mold, and what you can do to reduce moisture and remediate mold growth in your RV, please refer to the following websites and literature;

1. U.S. Environmental Protection Agency. Mold Remediation in Schools and Commercial Buildings 2001.
<http://www.epa.gov/iaq/molds/moldremediation.html>
2. U.S. Environmental Protection Agency. A Brief Guide to Mold, Moisture, and Your Home, 2002.
<http://www.epa.gov/iaq/molds/moldguide.html>

FIRE SAFETY

The hazard and possibility of fire exists in all areas of life, and the recreational life-style is no exception. Your RV is a complex machine made up of many materials, some of them flammable. But like most hazards, the possibility of fire can be minimized, if not totally eliminated, by recognizing the danger and practicing common sense, safety and maintenance habits.

Know where your fire extinguisher is located and how and when to use it. Read the instructions on the fire extinguisher. Remember that portable fire extinguishers are intended for use by the occupants of a building or area that is threatened by fire. They are most valuable when used immediately on small fires. They have a limited amount of fire-extinguishing material, and therefore must be used properly so this material is not wasted.

Fire extinguishers are pressurized, mechanical devices. They must be handled with care and treated with respect. They must be maintained as outlined in any maintenance instructions provided with the device so they are ready to operate properly and safely. Parts or internal chemicals may deteriorate in time and need replacement. Always follow maintenance and recharging instructions provided by the fire extinguisher manufacturer. Maintain proper charge in the fire extinguisher.

WARNING

Urethane foam is flammable!

Do not expose urethane foams to open flames or any other direct or indirect high temperature sources of ignition such as burning operations, welding, burning cigarettes, space heaters or unprotected electric light bulbs.

Once ignited, urethane foams will burn rapidly, releasing great heat and consuming oxygen very quickly.

In an enclosed space the resulting deficiency of oxygen will present a danger of suffocation to the occupants. Hazardous gases released by the burning foam can be incapacitating or fatal to human beings if inhaled in sufficient quantities.

Fire Safety Precautions

In addition to instructing occupants on what to do in case of fire, and holding fire drills periodically, consider these fire safety suggestions:

- If you experience a fire while traveling, ***maintain control of the vehicle until you can safely stop. Evacuate the vehicle as quickly and safely as possible.***

- If you experience a fire while camped, ***evacuate the vehicle as quickly and safely as possible.***
- Consider the cause and severity of the fire and risk involved before trying to put it out. If the fire is major or is fuel-fed, stand clear of the vehicle and wait for the fire department or other emergency assistance.
- If your RV is damaged by fire, do not move or live in it until you have had it thoroughly examined and repaired.

Just as in your home, included below are some common sense tips to help prevent a fire incident from occurring.

- Never leave unattended food cooking on the stove or in the oven.
- Never smoke in bed or leave cigars/cigarettes unattended.
- Keep candles or any open flames away from curtains/fabrics/walls and ceiling.
- Keep matches and igniter devices safely stored and away from small children.
- Do not store combustibles inside your RV (gasoline, charcoal lighter, etc.).

WARNING

Do not store or carry LP gas containers, or other flammable liquids inside your recreational vehicle.

WARNING

Explosive fuel clouds may be present at fuel filling stations. ***Before refueling (either gasoline, diesel fuel or LPG) be sure to turn off all pilot flames and appliances in your motor home. Turning off the propane at the tank is insufficient. Pilotless appliances may still spark or pilot flames may not extinguish immediately.***

Living With Your Motor Home

Smoke Detector/Alarm

A battery-powered smoke detector/alarm is mounted on the ceiling in the living/cooking area of your motor home. Please read the smoke detector/alarm operating instructions for details on testing and caring for this important safety device.

Test the smoke detector/alarm after the motor home has been in storage, before each trip, and at least once a week during use.

The smoke detector/alarm should never be disabled due to nuisance or false alarm from cooking smoke, a dusty furnace, etc.

Ventilate your motor home with fresh air and the detector/alarm will shut off. ***Do not disconnect the battery.***

Replace the battery once a year or immediately when the low battery BEEP signal sounds.

If the smoke detector/alarm fails to operate with new batteries, replace it with a new unit, available through an authorized Fleetwood Service Center.

PLUMBING SYSTEMS AND HOLDING TANKS

The plumbing systems in your motor home are constructed of durable thermoplastic materials. Holding tanks and piping components are strong, lightweight, and corrosion resistant.

Holding tanks are of three types:

- **Fresh** – Fresh potable water
- **Grey** – Lavy/shower effluent
- **Black** – Toilet effluent

It is recommended to discharge as many fluid tanks as practical before driving.

FRESH WATER SYSTEM

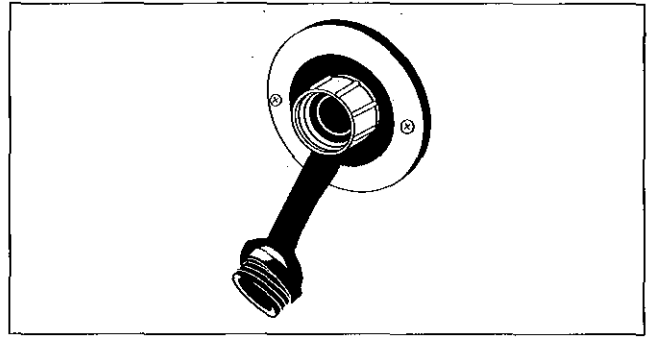
Fresh, potable water is available from either an external “city water” hookup or on-board storage.

External Fresh Water Hookup

The external system is pressurized by the water system at an RV park or city water supply. The connection is located in the utility compartment on the rear left side of the motor home.

To connect to pressurized city water:

1. Connect one end of a potable water hose to the RV park or city water supply. This will usually be a faucet or valve similar to your garden hose valve at home. Potable water hoses are available at RV supply stores.
2. Run the city water supply for a few seconds to clear the line. Turn off the water.
3. Attach the other end of the potable water hose to city water connection located on the motor home. Make sure all connections are tight.
4. Turn on the RV park/city water supply. Open all faucets inside the motor home to clear the lines. Then turn off faucets.



External Fresh Water Connection

CAUTION

Since water pressures at campgrounds vary, we recommend you install an in-line pressure regulator (if not equipped) at the water supply faucet. This will protect the motor home water system and your supply hose from excessively high water pressure.

To disconnect the city water:

1. Turn OFF the city water supply.
2. Remove the hose from the city water supply valve.
3. Drain and store the hose.

Filling the On-Board Water Tank

The on-board fresh water tank can be filled in two ways: (1) city water pressure or (2) gravity.

1. City water pressure -- When connected to the city water supply as described above, turn the bypass valve located in the utility compartment to “Water Tank Fill” from the “Normal” setting. This will fill the on-board fresh water tank.

Make sure the external gravity fill connection is open (remove the cap) to allow air to escape from the on-board tank. When water flows out of this external fill, the on-board tank is full.

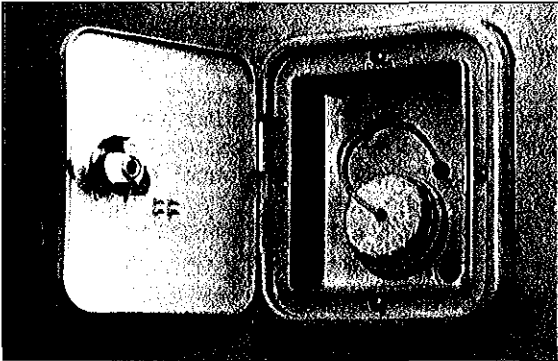
After filling, turn the bypass valve to “Normal.”

Plumbing Systems and Holding Tanks

CAUTION

Overfilling the fresh water tank from a pressurized source may cause damage to the water system. Monitor water tank filling continually.

2. Gravity fill –The external gravity water fill is located on the exterior of the motor home. The on-board water tank can be filled here. To fill the fresh water tank, remove the cap, remove the vent plug, and fill the tank using a potable water hose.

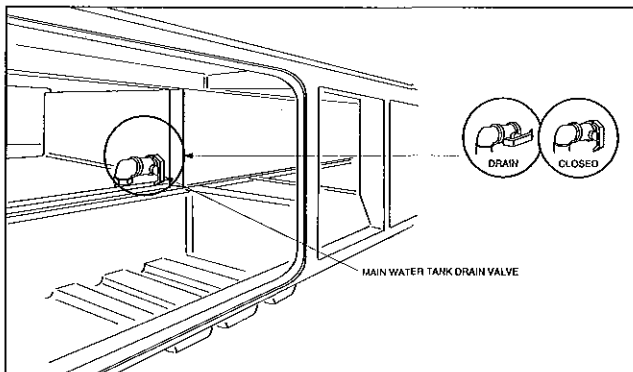


Fresh Water Tank Fill

Draining the Fresh Water Tank

Avoid leaving the water in the tank when the motor home is not in use. Turn the water pump OFF before draining the water tank. Whenever possible, drain the fresh water tank before traveling. Water in the tank will reduce the carrying capacity of the motor home. See *Motor Home Loading* section of the *On The Road* chapter.

The main water tank “quick-drain” valve is located on the end of the water tank.



Water Pump

The on-board fresh water system is pressurized by a self-priming, 12-volt DC pump. The pump operates automatically when the pump power switch is ON and a faucet is opened. When the faucets are closed, the pump shuts off. A fuse at the converter panel protects the pump circuit. It can run dry for extended periods without damage. See *Electrical Systems* chapter.

Turn the pump master switch ON to pressurize the system. When a faucet is opened after the initial filling of the tank, the water may sputter for a few seconds. This is normal and is not cause for concern. The water flow will become steady when all air is bled from the water lines.

Water Pump Filter

Dirt, mineral scale, and organic matter are filtered out of the fresh water system by an in-line water filter on the inlet side of the water pump. If you suspect a clogged filter, it is easily removed and cleaned.

Inspect the filter after running the first full tank of water. Clean and inspect monthly thereafter. The filter is located in the utility compartment behind the service panel.

1. Loosen the clamp at the inlet end of the filter.
2. Pull the water line off the filter.
3. Unscrew the filter from the water pump.
4. Turn each end of the filter and pull apart.
5. Flush out and clean screen.
6. Reverse procedure to install.
7. Operate the water pump and check for leaks.

Low Point Drains

To drain hot and cold lines:

1. Open hot and cold low point drains.
2. Open the shower handle and faucet until all water has drained from the lines.

Troubleshooting the Fresh Water System

Water system problems usually fall into two categories: Inherent system problems, and problems caused by neglect. System problems are usually the result of road vibration and campsite water pressure variations. Problems of neglect usually stem from failure to clean filters, improper winterization, and poor battery maintenance. Most water system problems can be avoided by conscientious maintenance.

Leaks

Vibration, flexing and twisting while traveling can work pipe fittings loose. Check all plumbing for leaks at least once a year. If the water pump runs when a faucet is not open, suspect a leak. Be sure the tank drain valves are tightly closed. Leaks occur most often around threaded fittings. If necessary, tighten or clean and tighten the fittings. Do not overtighten fittings. Connections at galley and lavy fixtures should not be tightened with a wrench. They will normally seal with hand-tightening. If a leak persists at one of the fittings, disconnect it completely and check for mineral deposits or other foreign matter at the seating surfaces. Clean the surfaces thoroughly and reinstall the fitting.

Connections at the water tank, pump and valves are made with special clamps. They can be replaced with standard automotive type hose clamps.

Leaks caused by freezing damage can be prevented by proper winterization of the system. See the *Storage* chapter of this manual. Freezing damage is usually extensive and may include a burst water tank, split piping, and a damaged water pump, toilet, and water heater. If you experience this type of damage, repairs can best be made by an authorized Fleetwood dealer.

For your safety, the shower faucet is equipped with a vacuum breaker device. This device is designed to prevent backflow of water into the

fresh water system, reducing the possibility of contamination of the water supply. When the faucet is in the OFF position with the shower hose held above the faucet, water will drain out of the vacuum breaker. This drainage is not a defect, but indicates that the faucet is working correctly.

Sanitizing the Fresh Water System

As approved by the U.S. Public Health Service, sanitize the fresh water tank and piping system whenever the system may have become contaminated, has not been used for a period of time, or before long periods of storage. This will discourage the growth of bacteria and other organisms that can contaminate the water supply. Use a chlorine/fresh water rinse as follows:

1. Prepare a solution of 1/4-cup household liquid chlorine bleach (5% sodium hypochlorite) to one gallon of water. Use one gallon solution for each 15 gallons of tank capacity.
2. Close drain valves and faucets, pour the chlorine solution into the exterior fresh water tank filler spout, and complete filling at tank with potable water.
3. Turn water pump switch ON. (Be sure you have 12-volt DC power.) Open all faucets individually until water flows steadily, then turn them off. This will purge any air from the lines.
4. Top off water tank with fresh water and allow the system to stand for at least 4 hours.
5. Drain the entire system by opening all potable water tank valves, plumbing line drain valves, and operating faucets.
6. Flush the system with potable water. Let the fresh water flow through the system for several minutes to flush out the chlorine solution.
7. After you stop the flushing, close the tank valve, drain valves, and faucets. You can now fill the tank with potable water, and the system is ready to use.

Plumbing Systems and Holding Tanks

Exterior Shower (If Equipped)

A shower fixture is mounted in the exterior utility compartment. The water pump must be ON or city water pressure must be available for the shower to operate.

Drinking Water Filter System (If Equipped)

The water filter helps provide consistent drinking water quality. The filter cartridge is located in the cabinet under the galley sink. Your *Owner's Information Package* contains detailed operating and maintenance instructions concerning this system.

Please note that the separate faucet at the galley, and the optional icemaker are the outlets for the filtered water. Although this filtered water is not available at the standard galley and lavy outlets, the water available at those outlets is filtered by the water pump filter. Note also that this system is not designed for or effective in removing or neutralizing bacterial contaminants.

NOTE

Turn water pump off before traveling. Road vibration could cause a faucet to open. If the water pump is on, your fresh water supply could be pumped into the holding tank.

WASTE WATER SYSTEM

The waste water system in your RV is made up of sinks, tub, shower, toilet, plumbing drain and vent lines, a "gray water" holding tank and a "black water" holding tank. The gray tank holds shower, tub and sinks, where the black tank holds toilet effluent. The holding tanks make the system completely self-contained and allow you to dispose of waste water at your convenience. A flexible sewer hose is required to connect the holding tank outlet to the inlet of an approved waste water dump station or sewer system.

The drain plumbing is very similar to that used in your home. The system is trapped and vented

to prevent waste gases from backing up into the RV. The drain plumbing is made of plastic, and is durable and resistant to most chemicals. All drain plumbing except the toilet connection terminates in the gray water holding tank and drains directly into it.

Toilet

Your RV is equipped with a marine-type toilet. The flushing mechanism, whether a foot-operated pedal or a hand-operated lever, allows a valve in the bottom of the bowl to open, permitting the contents to be flushed into the "black" holding tank. A stream of water under pressure from the RV's water system swirls around the bowl, cleaning it and flushing the contents into the holding tank. Most models have two levers, each working independently of the other so the bowl can be filled with water prior to use.

In order to help prevent hard deposits from building up within the "black" tank and help reduce unwanted odor, it is recommended to always keep water in the tank. When empty after a tank discharge, flush the toilet several times in order to introduce about five gallons of water.

It is highly recommended that a deodorizing product should be used for the black tank after each discharge at a dumping station. This will help control unwanted odors.

Ensure that the black tank sewer drain system is always closed and only opened when draining at a dump station. Never allow your black tank system to dry out unless it has been thoroughly cleaned, sanitized and rinsed first.

For additional information, please refer to the operating manual in your *Owner's Information Package*.

Draining the Holding Tanks

The holding tanks terminate in a valve arrangement that permits draining each tank separately.

Plumbing Systems and Holding Tanks

The valves are called knife valves. A blade closes the opening in the sewer drain pipes. The blade is connected to a T-handle and cable assembly mounted in the utility compartment. Pull the T-handle to release the contents of the tank(s).

During self-containment use, the sewer line is securely capped to prevent leakage of waste material onto the ground or pavement. **Do not pull the holding tank knife valve open when the protective cap is installed on the pipe.**

Always drain the tank into an acceptable sewer inlet or dump station.

Drain the holding tanks only when they are at least $\frac{3}{4}$ -full. If necessary, fill the tanks with water to $\frac{3}{4}$ -full. This provides sufficient water to allow complete flushing of waste material into the sewer line.

Whenever possible, drain the holding tanks before traveling. Waste water and sewage in the holding tanks reduce the carrying capacity of the motor home. See the *Motor Home Loading* chapter.

During extended or semi-permanent hookups to sewage systems, waste materials will build up in the tank and cause serious plugging if the tank valves are continuously open. In these cases, keep the valves closed until the tanks are $\frac{3}{4}$ -full, and then drain into the sewage system.

The holding tank drain valve outlet is to be used with a removable termination fitting that locks onto the outlet with a clockwise twist. Clamp the sewer drain hose to this fitting. A protective cap should remain in place when you are not draining the tanks.

WARNING

Holding tanks are enclosed sewer systems and as such must be drained into an approved dump station. Both black and gray water holding tanks must be drained and thoroughly rinsed regularly to prevent accumulation of harmful or toxic materials.

NOTE

Local or state regulations may prohibit highway travel unless the holding tank outlet is securely capped.

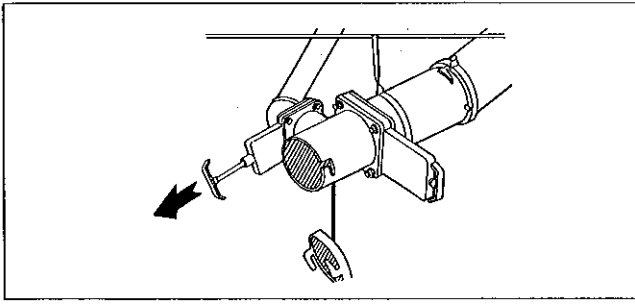
To drain the holding tanks:

1. Attach the sewer hose to the holding tank outlet. Insert the end of the hose into the sewer or dump station inlet, pushing it firmly far enough into the opening to be secure. In some cases, adapters may be necessary or required between the line and the inlet. Arrange the sewer hose so it slopes evenly.
2. Drain the black water holding tank first. Grasp the handle of the black water knife valve (the large one) firmly and slide the valve open with a quick, steady pull.
3. Allow enough time for the tank to drain completely. Rinse and flush the tank through the toilet. When the tank is empty, push the handle in to close the valve. Run enough water (up to five gallons or so) into the tank to cover the bottom. This will aid the break up of solid wastes, and reduce "pyramiding" of waste material.
4. To drain the gray water tank, repeat the steps above using the small knife valve. This tank is drained last to aid in flushing the outlets and hose. The gray water knife valve may be left open in a semi-permanent hookup.
5. See the tank flush system instructions in the next section if your recreational vehicle is so equipped.
6. Remove the sewer hose and cap the outlet.
7. Rinse out the sewer hose with fresh water and remove the sewer hose from the dump station.
8. Replace sewer or dump station covers.

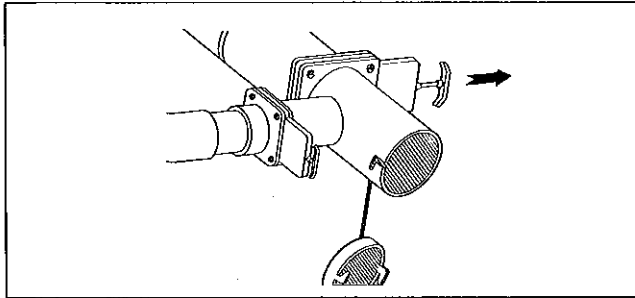
CAUTION

The sewer drain valve must be open when using the black tank flush inlet.

Plumbing Systems and Holding Tanks



Gray Holding Tank Dumping



Black Water Tank Dumping

Black Tank Flush System (If Equipped)

The black water holding tank is equipped with rinsing spray heads that will aid in the removal of sewage residue from the interior of the hold-tank. To operate the tank flushing system, follow the procedures for *Draining The Holding Tanks* in this chapter. After dumping the gray water tank proceed as follows:

1. With the dump valves open, attach a garden hose to the black tank flush inlet connection.
2. Turn on water supply to garden hose and allow the water to run for approximately three minutes to flush tank.
3. Turn off water supply to garden hose.
4. Remove hose from black tank flush inlet connection and store hose.
5. Rinse out the sewer hose with fresh water and remove the sewer hose from the dump station.
6. Replace sewer or dump station covers.
7. After rinse water has thoroughly drained

from the black tank, close the knife valve and replace the termination cap. If you are parked at a site with a semipermanent sewer hookup, keep the black water knife valve closed to allow the waste level to build up. The outlet will probably clog if you leave the knife valve open continually. Run enough water into the tank to cover the bottom. This will aid the break up of solid wastes.

Please...Practice good housekeeping when draining wastes at a campsite or disposal station. Leave the site in good order. Above all, do not pollute.



CAUTION

Do not use the same hose you use for filling the potable water tank, or for connection to the city water inlet. This is especially true if you connect the quick connect hose to the typical rinsing hoses at most dumping stations. Use of a different hose will insure that you will not contaminate your fresh water supply.

CAUTION

The sewer drain valve must be open when using the black tank flush inlet.

Holding Tank Care

Since holding tanks don't rely on any sophisticated mechanical devices for their operation, they are virtually trouble-free. The most common problem is also an unpleasant one – clogging. You can minimize the chances of clogging by keeping the following considerations in mind:

- Keep the black water tank knife valve closed. Fill tank to at least $\frac{3}{4}$ -full before draining. Be sure to cover the tank bottom with water after draining.
- Use only toilet tissue formulated for use in septic tank or RV sanitation systems.
- Keep both knife valves closed and locked, and the drain cap tightly in place when using the system on the road.

Plumbing Systems and Holding Tanks

- Use only cleaners that are approved for use in septic tank or RV sanitation systems.
- Use a special holding tank deodorant chemical approved for septic tank systems in the black water holding tank. These chemicals aid the breakdown of solid wastes and make the system much more pleasant to use. Do not put facial tissue, paper, ethylene glycol-based or other automotive antifreeze, feminine hygiene products or household toilet cleaners in the holding tanks.
- Do not put anything solid in either tank that could scratch or puncture the tank.

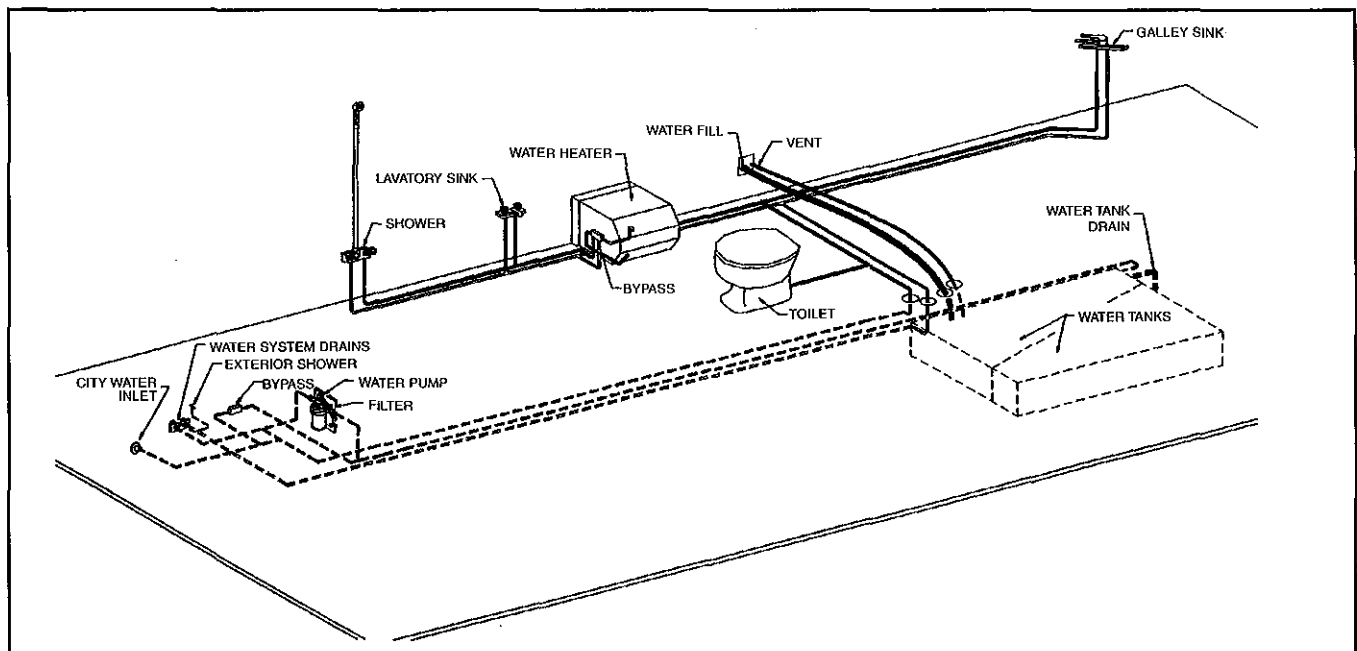
If the drain system does get clogged:

- Use a hand-operated probe to loosen stubborn accumulations.
- Seriously clogged P-traps may require disassembly. Be careful not to overtighten when reassembling.

- Do not use harsh household drain cleaners.
- Do not use motorized drain augers.
- Sometimes the holding tank valve will get clogged. In this case, a hand-operated auger may be necessary. Be ready to close the valve quickly once the clog is cleared. If the seal gets damaged, it is easily replaced.

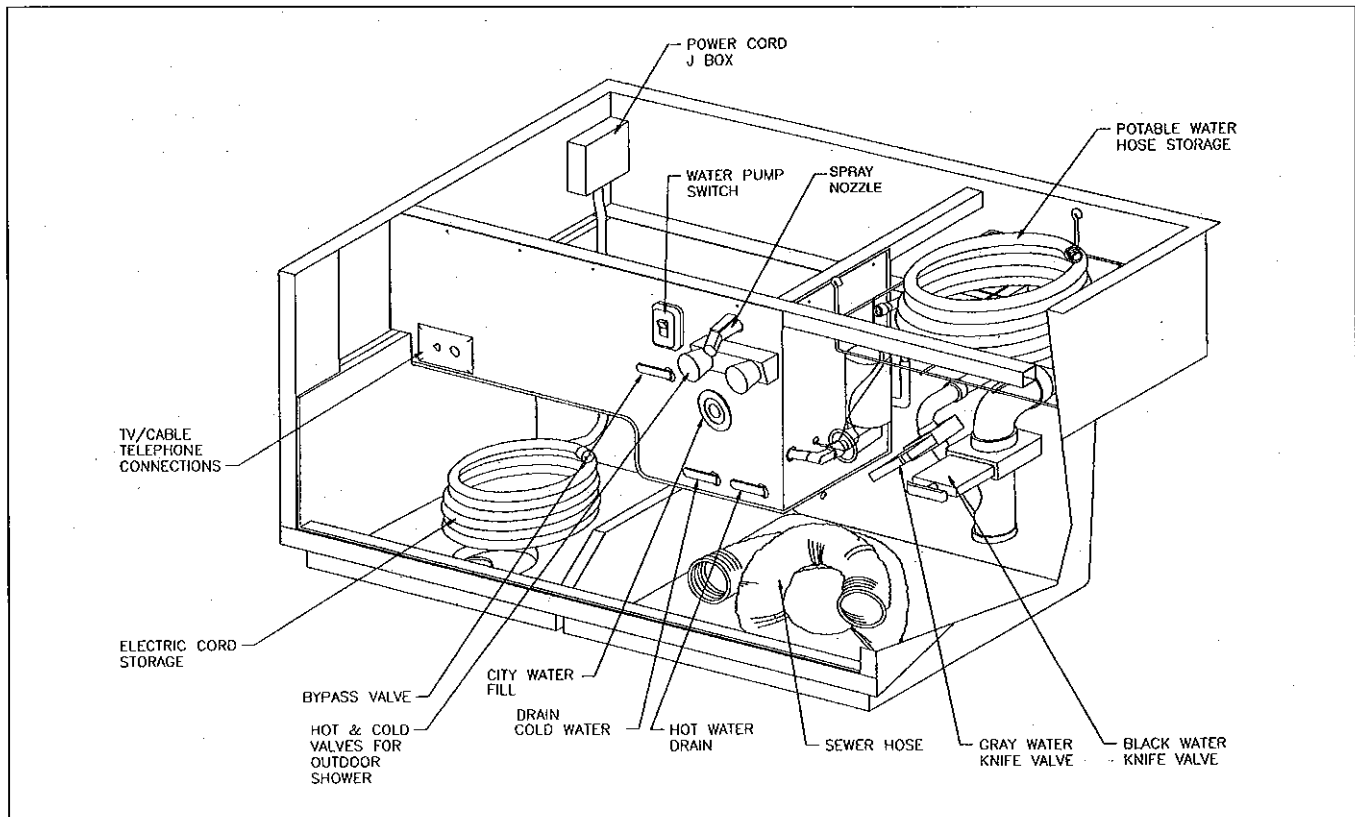
Cold Weather Usage

The holding tank(s) area is heated through ducts from the furnace. To prevent holding tank freeze up, the furnace thermostat should be set to maintain a minimum of 33 degrees Fahrenheit in the holding tank(s) area. Be aware that exposed drains may freeze quickly.



Typical Hot and Cold Diagram

Plumbing Systems and Holding Tanks



Utility Compartment (detail varies depending on product)

ELECTRICAL SYSTEMS

Your motor home is equipped with three electrical systems:

- the chassis 12-volt system*
- the Fleetwood 12-volt house system*
- the 120-volt AC system.*

They operate together to give you electrical power for many different situations.

CHASSIS 12-VOLT ELECTRICAL SYSTEM

The chassis 12-volt or vehicle electrical system generally includes:

- the chassis battery*
- chassis/house battery charging system*
- ignition system*
- instrument panel and controls*
- headlights, taillights, turn signals*
- power entry step*
- LPG detector/alarm*
- leveling jacks (if equipped)*
- slide-out (if equipped)*
- fog lights (if equipped)*
- air horns (if equipped)*
- power seats (if equipped)*
- radio*
- luggage compartment lights*
- other vehicle lights and accessories*

Chassis Bulbs and Fuses

Exterior bulb types are listed in the 03-1 section of this *Owner's Manual*. Always replace bulbs and fuses with equivalent types and ratings.

Fuses will interrupt the flow of electricity if a circuit is overloaded. The 12-volt chassis fuse panel is located under the driver's side instrument panel. Additional fuses are located under the hood, or in 12-volt power leads on the related equipment and accessories.

CAUTION

Always replace bulbs and fuses with equivalent types. The type is marked on the bulb or fuse.

FLEETWOOD 12-VOLT HOUSE AND AUTOMOTIVE SYSTEM

This system generally includes:

- all 12-volt interior lighting fixtures & outlets*
- fresh water pump*
- 12-volt accessories*

House batteries provide 12-volt DC power. These batteries are not the chassis 12-volt batteries. Power is also provided by a DC converter that operates when the motor home electrical cord is plugged into 120-volt AC power source or by the generator (if equipped). The house batteries are charged by the motor home engine alternator, or by the converter when it is operating.

✓ NOTE

Power for living area radios and tape decks is available from either the chassis or house batteries. A switch on the instrument panel allows you to select the power source. If you use the radio, tape decks, or other 12-volt DC equipment for long periods of time when the motor home engine is not running, either battery may be discharged.

Batteries

Your motor home has two battery systems. One system supplies 12-volt DC power to start the vehicle engine. The other system supplies 12-volt DC power to the house living area.

Battery Disconnect

Some accessories or equipment such as clocks, radios or the refrigerator may draw small amounts of current even when turned OFF. For your convenience, relay operated disconnect circuits may be equipped with your motor home. These circuits isolate selected electrical systems

Electrical Systems

from either the chassis or the house batteries. Activating the relay(s) will prevent battery discharge which may occur over extended storage periods. During normal use of your motor home the relays must always be in the "on" position.

If you plan to store the motor home for an extended period, press the disconnect switch/es to OFF. Remember to press the switch/es to ON when you take the motor home out of storage.

✓ NOTE

The main and auxiliary battery disconnects are automatically engaged anytime the ignition switch is turned on.

✓ NOTE

A trouble shooting guide and function manual that explains this system is included with your motor home Owner's Information Package.

✓ NOTE

When charging the batteries, the battery disconnect switches must be ON.

Battery Inspection and Care

⚠ WARNING

Do not use the motor home when the chassis battery is disconnected. The power step will not operate as designed if the chassis battery is disconnected. If the step is not in the correct extended position, you may be injured if you step out of the motor home.

Check the external condition of the battery periodically. Look for cracks in the cover and case. Check the vent plugs and replace any that are cracked or broken. Keep the battery clean. Acid film and dirt on the battery top may permit current to flow between the terminals and discharge the battery.

To clean the battery:

1. Be sure the vent caps are installed and tight.
2. Wash the battery with a diluted solution of baking soda and water to neutralize any acid present.

3. Flush with clean water. Foaming around terminals or on top of the battery is normal acid neutralization. Avoid getting the soda solution in the battery.
4. Dry the cables and terminals.
5. Do not use grease on the bare metal inside the cable terminals to prevent corrosion. Grease is an insulator. Electricity will not flow through it. A plastic battery terminal spray will protect the terminals after you have cleaned and reinstalled them.
6. Check the battery, including water level, at least once a week. Keep the carrier and hold down hardware clean and free of corrosion and chemical accumulation.

⚠ WARNING

Disconnect the 120-volt shore cord and the negative terminal from the battery/ies before working on either electrical system. If you work on the electrical systems with the power cord connected, you may be shocked, electrocuted, or severely burned.

Battery Charging

Both sets of batteries will be kept charged by the chassis engine alternator and charging system while you are driving. The DC power converter will charge the chassis and house batteries when plugged into 120-volt AC service or by the generator (if equipped). If the battery needs to be charged from a different charging source, please follow these safety guidelines:

- Leaving a charger connected to a battery for an extended period of time can shorten battery life.
- Do not smoke near batteries being charged or which have been recently charged. Please note that batteries are being charged while you drive, and while you are connected to 120-volt AC power through the converter/charger circuit.
- Do not break live circuits at the terminals of the battery. Use care when connecting or disconnecting booster leads or cables. Attaching booster cables, and poor connections are a common cause of electrical arcs which can cause explosion.

- Check and adjust the electrolyte level before charging. Fill each cell to the indicator with distilled water.
- Always remove all vent caps before charging the battery.
- Do not charge the battery at a rate that causes the electrolyte to spew out.
- In cold temperature storage conditions, batteries may freeze if not properly charged.

WARNING

Remove rings, metal watchbands, and other metal jewelry before working around a battery. Use caution when using metal tools. If a tool contacts a battery terminal or metal connected to it, a short circuit could occur which could cause personal injury, explosion or fire.

WARNING

Do not allow battery electrolyte to contact skin, eyes, fabrics, or painted surfaces. The electrolyte is a sulphuric acid solution which could cause serious personal injury or property damage. Wear eye protection when working with batteries.

WARNING

Never expose the battery to open flame or electric spark. Chemical action in the battery generates hydrogen gas which is flammable and explosive. Do not allow battery electrolyte (acid) to contact skin, eyes, fabrics, or painted surfaces.

Solar Panel (If Equipped)

Your new motor home may be equipped with an optional solar charger. The solar charging panel installed on the roof of your motor home is designed to “trickle-charge” your battery system. It is not intended to be a fast charger. It also cannot supply large amounts of current to operate 12-volt DC electrical equipment. When the sky is clear and under bright sun, the solar panel will help keep your batteries “topped-up”. Do not try to operate 12-volt DC appliances with the output

of the solar panel. A light on the air conditioner indicates when the solar panel is operating.

Selecting a Replacement Battery

When the battery requires replacement, always choose a battery with the same physical and electrical characteristics as the original equipment. Your dealer or an authorized Fleetwood Service Center can advise you on proper battery selection.

Auxiliary Start System (If Equipped)

You can use the *Auxiliary Start System* to start the motor home engine with the house battery if the chassis battery is discharged. The *Auxiliary Start System* has no effect on the vehicle except to aid in starting the motor home engine. If the vehicle alternator is operating properly, the batteries will be charged while driving.

To use the Auxiliary Start System:

1. Be sure the motor home is stopped. Shift the transmission to **N** or **P** and apply the parking brake.
2. Press and hold the **Auxiliary Start** switch on the instrument panel.
3. Start the engine with the ignition switch.
4. Release the **Auxiliary Start** switch.

120-VOLT SYSTEM

This system provides grounded 120-volt AC electrical service for appliances such as air conditioners, TV, microwave ovens, etc. This system includes:

the generator

the main electrical power cord (“shore chord”)

Your motor home is equipped with a heavy duty, power cord. It is commonly called the “shore cord.” This cord is used to connect to external 120-volt AC service. The cord and connector is molded together to form a weatherproof cable assembly. Do not cut or alter the cable in any way. Do not remove the ground pin in the cable connector, or defeat the ground circuit in the motor home.

Electrical Systems

To connect the power cord to external service, push the plug straight into the receptacle.

WARNING

Do not operate the 120-volt electrical system without a proper ground. Electrocutation or severe electrical shock could result.

CAUTION

Switch off the 30-amp main breakers located in the 120-volt AC load center (breaker panel) before you insert or remove the 30-amp power plug. Be sure to insert or remove the plug straight into or out of the receptacle. The neutral and both 120-volt pins should make contact at the same time to avoid excessive voltage on one leg of the circuit that could damage 120-volt appliances.

Power Converter

The converter will automatically supply 12-volt DC power when your motor home is operating on 120-volt from the generator or a public utility. It also charges the coach battery.

Ground Fault Circuit Interrupter (GFCI)

Bathroom, galley, and patio 120-volt electrical outlets are protected by a **Ground Fault Circuit Interrupter (GFCI)**. This device is intended to protect you against the hazards of electrical shocks possible when using electrical appliances in the bathroom or galley or in damp areas. Should a circuit or appliance (electric shaver, hair dryer, etc.) develop a potential shock hazard, the GFCI device is designed to disconnect the outlet (and other outlets on the same circuit), limiting your exposure time.

NOTE

If an outlet doesn't work, check the GFCI. Reset it if necessary. If the GFCI continues to trip, have the motor home electrical system checked at an authorized Fleetwood Service Center or by a qualified electrician.

Test the GFCI at least once a month. To test the GFCI:

1. Connect the main power cord to 120-volt AC.
2. Push the **TEST** button. The **RESET** button should pop out, indicating that the protected circuit has been disconnected.
3. If the **RESET** button does not pop out when the test button is pushed, a loss of ground fault protection is indicated. Do not use any electrical outlets. Have the motor home electrical system checked at an authorized Fleetwood Service Center or by a qualified electrician. Do not use the system until the problem has been corrected.
4. To restore power push the **RESET** button.

WARNING

Do not install 12-volt fuses or 120-volt breakers with amperage ratings greater than that specified on the device or label. Doing so constitutes a fire hazard.

Generator (If Equipped)

Your motor home may be equipped with a gasoline or LP gas-powered generator which will provide complete electrical self-containment when regular public utility AC power is unavailable. Controls are at the generator and at a remote panel located in the living area of the motor home.

With the generator operating and the power cord plugged into the generator receptacle, power is available at all of the 120-volt power outlets in the motor home, just as if the cord were connected to an external source. The generator is also connected to the power converter, thus supplying 12-volt power as well.

WARNING

Do not under any circumstances operate the generator while sleeping. You would not be able to monitor outside conditions to assure that generator exhaust does not enter the interior, and you would not be alert to exhaust odors or symptoms of carbon monoxide poisoning.

Generator Fuel Supply

Fuel for the gasoline or diesel generator is taken from the main fuel tank through a special feeder tube which is higher in the tank than the feeder tube to the motor home engine. This arrangement prevents the generator from running the motor home fuel tank dry.

LP Generator (If Equipped)

Fuel is provided from a dedicated LPG tank.

Generator Operations

To start the generator:

1. Press **START** switch until generator is running.
2. To stop the unit, hold the switch in the **STOP** position until the engine stops completely. If you release the switch too soon, the engine will continue to run.

If the generator is slow to start, **DO NOT** hold the switch in the **START** position for more than 10 seconds. Release the switch, wait 15 seconds, then try to start again. This will help avoid overheating and damage to the generator starting system.



NOTE

Refer to the generator operating instructions provided in your **Owner's Information Package** for information before starting the generator. Do not start the generator unit with a heavy power load. Always wait at least three minutes after starting generator before turning on (or plugging in) heavy electrical loads, such as the roof air conditioner.

Generator Operating Safety Precautions

Read and understand the generator operating, maintenance and safety instruction furnished in your **Owner's Information Package**.

- Do not smoke or use an open flame near the generator unit or fuel tank.
- Do not use generator ventilation air for heating any space.
- Check engine fuel lines. Fuel leakage in or around the compartment is an extreme fire

hazard. Do not use the generator until fuel leaks are repaired.

- Be aware of exhaust gas (carbon monoxide) poisoning symptoms. Refer to the section on **Carbon Monoxide Safety Precautions** in the **On The Road** chapter.
- Check the generator exhaust system after every usage and whenever the system may have been damaged, and repair any leaks or obstructions before further operation. Disconnect the battery(ies) before performing any maintenance on the generator. Allow the generator to cool before performing any maintenance.
- Do not use the generator as an emergency power source to a general residential or industrial utility line. This is illegal and may cause shock or electrocution to power line utility personnel attempting to repair power lines.



WARNING

Do not place flammable material or store any other materials in the generator compartment.



WARNING

Do not operate the generator when parked in or near high grass or brush. Exhaust component heat may cause a fire.



WARNING

Do not modify the generator installation or exhaust system in any way.

Do not use the generator as an emergency power source to a general residential or industrial utility line. This is illegal and may cause shock or electrocution to power line utility personnel attempting to repair power lines.



CAUTION

Do not block the generator ventilating air inlets or outlets. The engine requires a constant supply of cooling air. Restricted ventilating air inlets or outlets can cause engine failure.

WARNING

Exhaust gases are deadly. Inspect the generator exhaust system thoroughly before starting the generator engine. Do not block the tail pipe or situate the motor home in a place where the exhaust gases have any possibility of accumulating either outside, underneath, or inside your vehicle or any nearby vehicles. Outside air movements can carry exhaust gases inside the vehicle through windows or other openings remote from the generator exhaust. Operate the generator only when safe dispersion of exhaust gases can be assured, and monitor outside conditions to be sure that exhaust gases continue to be dispersed safely.

ELECTRONIC CLIMATE CONTROL SYSTEM (If Equipped)

The dual air conditioners are controlled by the Electronic Climate Control system. This system allows both automatic and manual control of the rooftop air conditioners and the furnace(s) in your motor home.

The system will automatically control the air conditioner temperature, and when in the AUTOMATIC mode, it will control the fan speed to provide the necessary cooling at the quietest fan speed.

The system also monitors the current being drawn by all the electrical appliances in the motor home. Since the air conditioners draw a large amount of current, the climate control system may turn the compressor off to prevent circuit overload. In this mode the fan blows but cold air is not being created. Once the system turns them off, it will keep them off as long as required, and then automatically return them to normal operation.

The system is designed to operate from 120-volt, 30-amp AC service ONLY. Connection of the motor home to any other power source will cause *improper* operation of the system. If only 20-amp service is available, current load management must be done manually by the owner and only one air conditioner can be operated at any one time.

NOTE

A troubleshooting guide and function manual that explains this system is included with your motor home Owner's Information Package.

ELECTRICAL WIRING DIAGRAMS

Because of the many model, floor plans and option variations available, it is beyond the scope of this manual to include wiring diagrams. In certain situations, specific wiring diagrams may be available to help troubleshoot a problem. If you need specific wiring information, please contact your dealer. Complete wiring diagrams are not available.

MOTOR HOME FUSES AND CIRCUIT BREAKERS

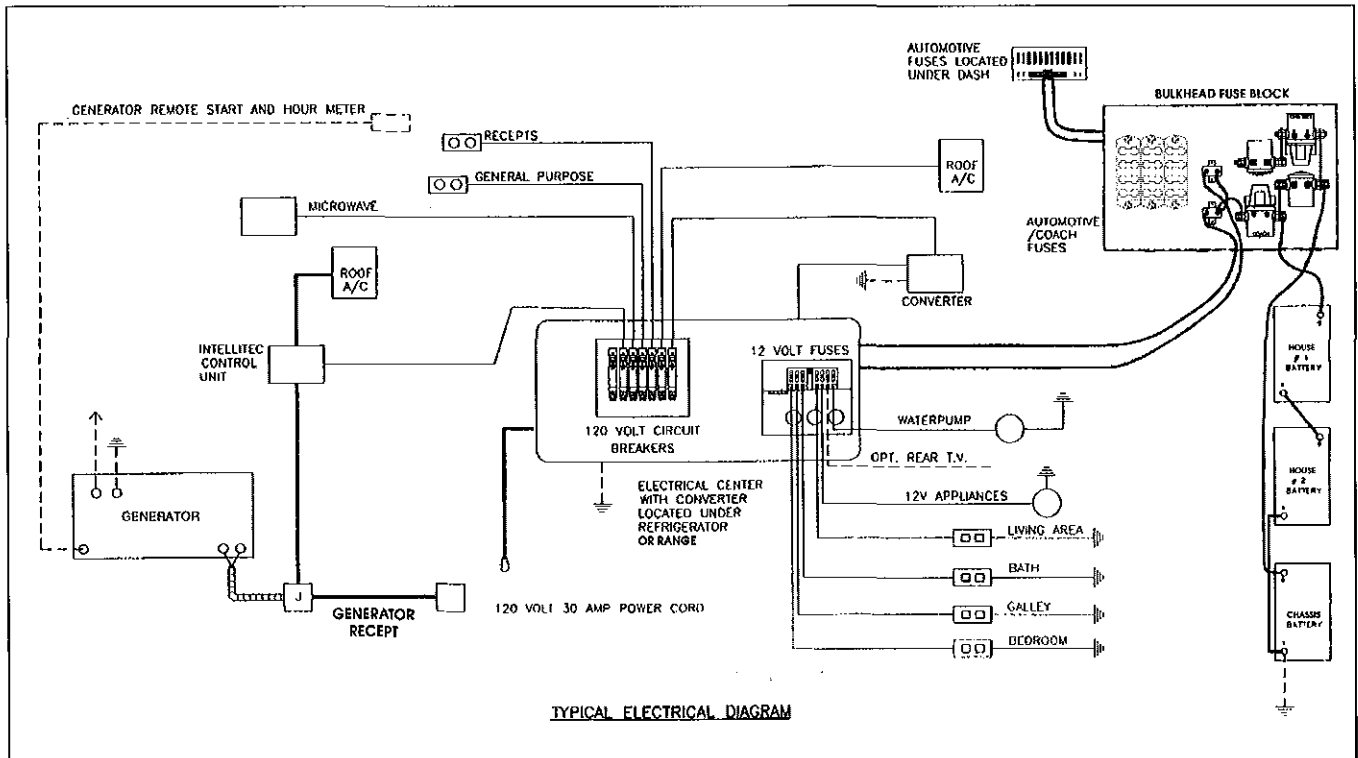
The 120-volt circuit breakers and 12-volt fuses are located on three separate panels. The purpose of these three panels is to provide electrical circuit breakers and fuses to interrupt current flow if a circuit is overloaded.

1. **120-volt House Electrical** — This electrical panel is located under the refrigerator. This panel is very similar to a residential panel with resettable breakers.
2. **Fleetwood Automotive 12-volt System** — This panel is located on the driver's side under the hood. This electrical center contains battery disconnect systems, entry step, fog light, and some other automotive circuitry.
3. **12-volt Chassis Fuses** — This electrical panel is located under the driver's side dash area.

WARNING

Do not install 12-volt fuses or 120-volt breakers with amperage ratings greater than that specified on the device or label. Doing so constitutes a fire hazard.

Electrical Systems



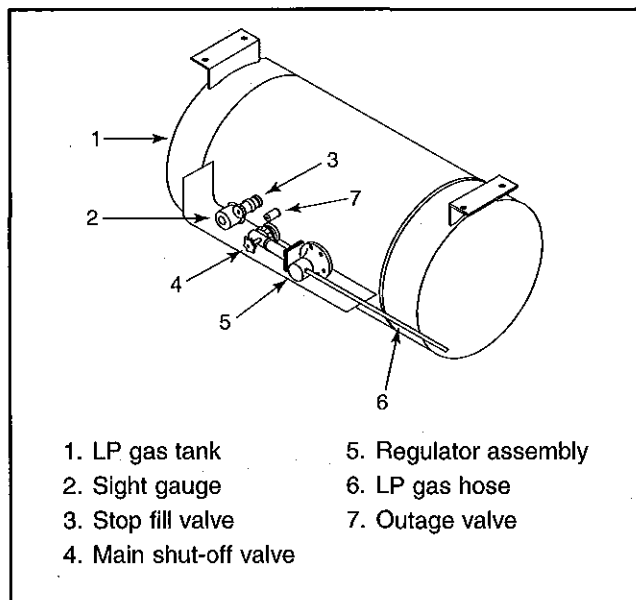
Typical Electrical Diagram

This page intentionally blank.

LP GAS SYSTEM

Liquefied petroleum (LP) gas is available from an approved storage container to operate your range, oven, furnace and water heater, and as an alternate energy source for some refrigerators. With proper handling precautions, LP gas is safe and provides modern conveniences wherever you travel. LP gas is stored as a liquid under pressure and vaporizes under the control of a pressure regulator.

A typical LP gas tank installation is illustrated below. Although specific details of the system may differ in your motor home, the major components and their relationships will be similar to those shown.



LP GAS SAFETY PRECAUTIONS

LP gas is a safe and reliable fuel. As with any other volatile and flammable material, common sense dictates that LP gas be handled and used with respect and caution. Because LP gas systems are so reliable, they are often taken for granted. Neglect can be a very dangerous habit. If the system is maintained regularly, you can expect almost trouble free operation.

The first time you have your LP gas tank filled, have the serviceman bleed a little LP gas out of

the small outage valve (this also lets you check that the bottle is not overfilled) and note the odor described as garlic/rotten egg like for future reference. A small number of people cannot smell this odor; if you are one of these you must take extra care whenever you use your motor home.

Keep the tank valve closed and turn off all appliances if the unit is not being used.

WARNING

LP gas is flammable and potentially explosive. Use proper handling, lighting and ventilating procedures.

1. The distinctive odor of LP gas indicates a leak. If you smell gas:

Extinguish any open flames, pilot lights and all smoking materials.

Do not touch electrical switches.

Shut off the gas supply at the container valve(s) or gas supply connection(s).

Open doors and other ventilation openings.

Leave the area until odor clears.

Have the gas system serviced by a professional before using the motor home again.

2. Never check for leaks with an open flame. Use an approved leak detection solution or a non-ammoniated, non-chlorinated soap solution only.

3. Always be careful when drilling holes or fastening objects to the motor home. The LP gas supply lines could be punctured by a nail or screw.

4. Do not restrict access to LP containers. In an emergency, the container service valve must be easily identified and accessible. The container compartment door must always be unlocked, and the LP label should be visible.

5. Do not carry or store filled or empty LP gas containers, including accessories such as gas barbecues, in your motor home. LP gas containers are equipped with a safety device that relieves excessive pressure by discharging gas to the atmosphere. Always store LP gas containers outside with the valves closed and plugged.

6. Do not use any LP gas container other than the one furnished with your motor home without being sure that all connecting components are compatible.

LP Gas System

WARNING

7. Turn off LP gas main valve before filling LP gas container or entering an LP gas bulk plant or motor fuel service station. Turn off all pilot lights and appliances individually before refueling of motor fuel tanks and/or LP gas containers. When not individually turned off, automatic ignition appliances may continue to spark when LP gas is turned off at the container.
8. Do not fill LP gas containers to more than 80% capacity. Overfilling can result in uncontrolled gas flow which can cause fire and explosion. A properly filled container holds about 80% of its volume as liquid.
9. LP gas regulators must always be installed with the diaphragm vent facing downward. Make sure that the regulator vent faces downward and that the cover is kept in place to minimize vent blockage which could result in excessive LP gas pressure causing fire or explosion.
10. Do not use a wrench or pliers to close the tank shut-off valve. This valve is designed to be closed by hand. If a tool is required, the valve probably needs repair or replacement.
11. If you do not have the special tools and training necessary, do not attempt to repair LP gas system components.
12. Motor homes stored in enclosed garages must be well ventilated.
13. Do not modify or alter the LP gas plumbing system.
14. If any appliance or piping has been serviced, ensure that a system leak check has been performed by a trained technician. This should be verified before taking delivery of the unit.

SYSTEM COMPONENTS

Hoses

The hoses used in your LP gas system meet stringent requirements, and are rated to withstand many times the pressures encountered in the system. Check the hoses for weather checking or other signs of deterioration every time you have the LP gas tank filled or serviced. When you replace hoses, be sure that replacements are properly rated and approved for RV use.

LP Gas Regulator

The two-stage regulator produces approximately 11 inches of water column (less than 0.5 psi) to

serve your appliances. Be sure the regulator vent stays clean and free from obstructions.

The regulator is mounted so that the vent is facing downward and is protected by a cover. Be sure the cover is on at all times. If the vent becomes clogged, it can be cleaned with a toothbrush. If corrosion is evident, contact a qualified LP gas service technician for assistance.

WARNING

Do not attempt to adjust the regulator. It has been pre-set by the regulator manufacturer. If any adjustment is required, it must be made by a qualified LP gas service technician using special equipment.

USING LP GAS SYSTEM AT LOW TEMPERATURES

Your LP gas system will function at low temperatures, provided the system components are kept at a temperature above the vapor point of the LP gas. Ask your LP gas supplier or your motor home dealer for information on product blends available in your area and the areas in which you will be traveling.

The following chart shows the reduction in available BTU's/hour under various fill levels as the temperature drops:

% FULL	20 LB. TANK*				
	+ 20°	0°	-5°	-10°	-15°
60%	36,000	18,000	12,750	8,500	4,250
50%	32,400	16,200	12,150	8,100	4,050
40%	28,800	14,400	11,400	7,600	3,800
30%	25,200	12,600	10,450	7,300	3,150
20%	21,600	10,800	8,100	5,400	2,700
10%	16,200	8,100	6,075	4,050	2,025

*30 lb. Tank multiply x 1.40

The chart clearly shows how the availability of the gas is reduced at lower temperatures. With this in mind, keep your LP gas tank as full as possible during cold weather. Check the BTU/hr

rating plates on your LP gas appliances. This information will help you manage your LP gas usage.

FILLING LP GAS TANKS

To fill the chassis-mounted storage tank, drive the vehicle to an LP gas supplier or a service station which sells LP gas. Do not attempt to fill the LP gas tank yourself.

WARNING

Turn off LP gas main valve before filling LP gas tank or entering an LP gas bulk plant or motor fuel service station. Turn off all pilot lights and appliances individually before refueling of motor fuel tanks and/or LP gas containers. When not individually turned off, automatic ignition appliances may continue to spark when LP gas is turned off at the container.

LP GAS SYSTEM CHECK

Do a visual check of all exposed piping and fittings after you have arrived at a destination and before you use the LP gas system.

Keep the tank valve closed and turn off all appliances if the unit is not being used.

Always have the system checked by a professional any time you detect a garlic/rotten egg like odor or hear a sustained hiss when you turn the LP gas on.

WARNING

Never check for leaks with an open flame. Do not check copper and brass plumbing lines and fittings for leaks using ammoniated or chlorinated household type detergents. These can cause cracks to form on the line and brass fittings. If the leak cannot be located, take the unit to an LP gas service representative.

LP GAS LEAK DETECTOR/ALARM

A permanently installed LP gas leak detector/alarm is located near the floor. The unit contains an alarm that will sound alerting you to the

presence of low levels of potentially dangerous LP gas that may have accumulated.

The detector/alarm unit is powered by the 12-volt DC system in your motor home. A green light on the detector/alarm front panel indicates that the detector/alarm has power.

Test the leak detector/alarm each time the motor home is relocated and set up for use. Detailed information for the leak detector/alarm can be found in the *Owner's Information Package*.

Testing Procedure:

1. Hold a butane-fueled pocket lighter near the sensor.
2. Open the lighter valve without striking the flame.
3. The leak detector/alarm should respond within a few seconds.
4. Press the silence button to reset the alarm.
5. Lightly fan the area around the detector/alarm to insure complete dispersion of the gas from the lighter, and to prevent another sounding of the alarm.
6. A silence button allows you to temporarily quiet the alarm for 60 seconds after it has been set off or after testing.
7. If the alarm does not sound during a test or if the green indicator light is not visible, see your dealer or an authorized Fleetwood Service Center. There are no batteries or user serviceable parts inside the unit.

WARNING

If your motor home is equipped with battery disconnect devices, the LP gas leak detector/alarm will not function if battery disconnect(s) are OFF.

NOTE

The detector/alarm draws enough current to discharge your battery. Remember to turn off the chassis and house battery disconnects if you are not using your motor home.

LP Gas System

LIGHTING LP GAS APPLIANCES

Detailed operating information for the LP gas appliances can be found in your *Owner's Information Package*. Please read and follow these instructions.

Air trapped in the gas lines may delay the initial lighting of any appliance. It could take several seconds or minutes for the gas to reach the appliance. To purge some of the air from the gas system, first light a burner on the range. The other appliances will then light more quickly.

The first time the furnace or oven is operated, paints and oils used in its manufacture may

generate some smoke and fumes. If this occurs, open doors and windows to air out the motor home. These materials should burn off after the first 15 to 20 minutes of appliance operation.

Always follow the appliance manufacturer's lighting, operating and maintenance instructions.

 WARNING
The LP gas detector/alarm is powered by a 12-volt source. Any interruption in power will render this alarm inoperative. Always ensure power is applied especially when appliances are in use.

The appliances installed in your motor home are tested and listed, and comply with standards established by these organizations. All appliances are covered by Fleetwood's *Ownercare Warranty* program. Each appliance is also warranted by its manufacturer.



NOTE

The individual appliance manuals included in your *Owner's Information Package* contain detailed operating and maintenance instructions. Always refer to the respective manual for the appliance in question.

WARNING

The water heater and furnace combustion air exhaust ports may be hot when the water heater and furnace are operating. Do not touch these outlets or allow any material to come near the exhaust ports while operating the water heater and/or furnace.

WATER HEATER

The water heater operates on LP gas, or, if so equipped, with 120-volt AC power, and is much like the one in your home. It contains an automatic shut off valve which stops the gas supply if the water temperature rises too high.

The water heater is reached through an access panel on the outside of the motor home.

Turn on the hot water faucet at the galley sink. If water flows continuously the heater is full.

CAUTION

Do not light water heater until it is filled with water.

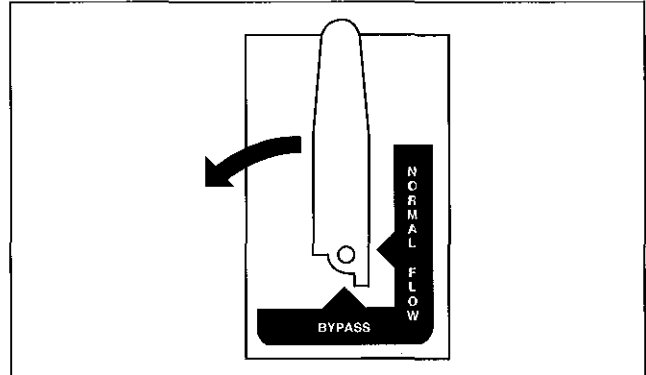
Water Heater Bypass Valve

This valve is provided to cut off the flow of water to the water heater. The water heater bypass valve greatly reduces the quantity of antifreeze required to winterize the water system. The valve is usually located in an exterior luggage compartment

near the water pump. Consult with your dealer for the location for your particular unit.

To bypass the water heater, turn the lever valve vertical.

To supply water heater with water, turn lever horizontal.



Water Heater Bypass Valve

REFRIGERATOR

Read the operating instructions furnished in your *Owner's Information Package*. Before operating the refrigerator when the motor home is parked, make sure it is level. If it is not level, the refrigerant will not circulate, cooling action will stop, and the refrigeration system may be damaged.

The refrigerator uses the absorption principle of operation. If you plan to cool food or drinks in high outside temperatures, precool the food, and, if possible, park the motor home with the refrigerator vent door in the shade. Once the interior of the refrigerator is cool, the refrigeration system will usually maintain this temperature. If the inside of the refrigerator is hot, the food is not precooled, and the outside temperature is high, it will take longer for your food to be cooled.

FURNACE

The furnace is a forced-air unit fueled by LP gas. All furnaces are equipped with a wall thermostat for temperature setting.

Appliances

The furnace will not operate properly if your stored personal items block the free flow of air at the registers or the return air to the furnace. Storage under cabinets should be done carefully so as to not crush or damage any furnace ducting.

Smoke and fumes created as a result of burning off manufacturing compounds are sometimes present the first time the furnace is used. This is normal; however, when you light the furnace the first time, open all windows and doors until the residues are completely burned off.

Always follow the appliance manufacturer's lighting and operating instructions.

If the furnace does not keep you comfortably warm, NEVER use the range, oven or a catalytic heater for supplementary heat — even with a vent or window open.

Combustion air for the furnace comes from outside the RV. The products of combustion from the furnace (carbon dioxide, carbon monoxide and other gases) are returned to the outside air.

WARNING

Portable fuel-burning appliances are not safe for heating inside the motor home. Asphyxiation or carbon monoxide poisoning can occur.

RANGE

The gas oven and burners are operated with LP gas. The basic operation is the same as the range in your home.

A warning label has been located in the cooking area to remind you to provide an adequate supply of fresh air for combustion. Proper ventilation when using the cooking appliances will prevent the dangers of asphyxiation. Refer to *Lighting LP Gas Appliances* section in the *LP Gas System* chapter of this manual.

When you use the range oven for cooking or baking, always open a vent or window to provide ventilation. Never operate the range or oven

when you are sleeping or if your alertness is impaired in any way.

WARNING

Do not use open flames to warm the living area. Gas combustion consumes the oxygen inside the motor home.

RANGE EXHAUST HOOD

The exhaust hood allows vapors and cooking odors to escape, and may provide a vent for the galley area. Switches for the fan and light are located either on the range hood or the front of the microwave. The hood has grease filter screen(s) which require periodic cleaning. To clean, remove the screens and wash in soapy water. Rinse with water and let the screens drain dry.

If needed, replace the light bulb with an equivalent type found on the bulb or listed in the appliance owner's manual.

AIR CONDITIONER(S) (If Equipped)

The roof-mounted air conditioner(s) can operate only when the motor home is connected to 120-volt AC power from either a public utility or the generator. Be sure the air conditioner circuit breaker is ON.

Each return air duct is equipped with a filter. Check these filters at regular intervals for accumulations of dust that could restrict air flow.

For best performance, park the motor home in the shade and close curtains. Close doors and windows and turn the temperature control knob for desired coolness. Refer to the air conditioner manufacturer's instructions for detailed operating and preventive maintenance requirements. Remember that air conditioners use a large portion of your available electric power.

See the *Electrical System* chapter for operating details on the *Fleetwood Climate Control System*.

Experience has shown that some RV parks may experience reduced power (low voltage) on days with high heat or humidity, commonly referred to as a "brown out." This condition may result in the air conditioner circuit breaker tripping in your power distribution center. This protects your air conditioner motor from damage and is necessary during low voltage conditions. This breaker tripping is sometimes perceived as a fault in your motor home, but it is a necessary "safety valve."



NOTE

Your motor home is equipped with a ceiling-ducted air conditioning system. For most efficient operation, adjust each vent so that is completely open. If you change the vent opening to regulate air flow try not to restrict the vent opening to below 70% open. Restricting air flow below this opening will affect the efficiency of the air conditioner.

ADDITIONAL 12-VOLT EQUIPMENT

If additional equipment requiring 12-volt power is installed in the motor home. Obtain the 12-volt source from a properly fused battery circuit. Consult an authorized Fleetwood dealer before adding any additional equipment to your motor home.

Front TV and Optional 120-Volt VCR

The front TV and 120-volt VCR (if equipped) can operate only when the motor home is connected to 120-volt power from either a public utility or the generator.

120/12-Volt Televisions (If Equipped)

The 120-volt/12-volt TVs are set up to operate on a 12-volt power source (battery) as the motor home is delivered. Extended use of the TVs on 12-volt power can drain the batteries. The front TV operates on 120-volt only.

The TV can also operate on 120-volt power from the generator or public utility. To use the TV on 120-volt power, remove the 12-volt cord from the rear of the TV and install the 120-volt cord.

VIDEO SWITCHER (If Equipped)

The video switcher, located near the VCR, allows routing of the antenna, cable or VCR signals to both the front and rear TVs independent of each other. You can also use the switcher to record or pass through the signals from the antenna or cable hookup.

TV ANTENNA (If Equipped)

The roof-mounted antenna is designed for reception of VHF and UHF television signals.

Before traveling, remember to lower the antenna and secure it to prevent damage to the antenna, motor home roof, or objects in the path of the antenna, such as overhead wires. **Do not travel with the antenna raised.**



NOTE

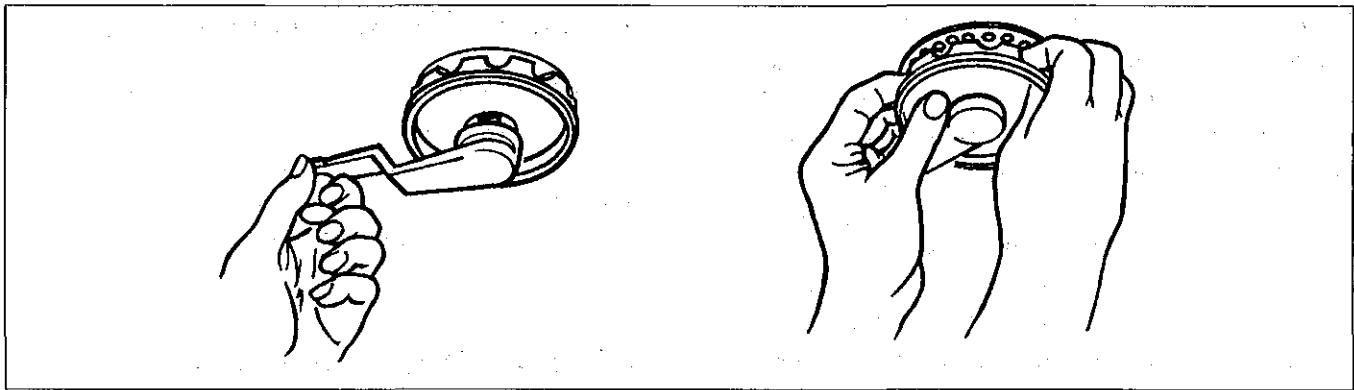
The antenna booster power supply must be turned off to prevent battery drain. A red indicator light will glow when the unit is on.

Antenna Operating Instructions

Before raising antenna, check for clearance above the vehicle.

1. To raise the antenna to operating position, turn crank toward UP until you feel resistance. Switch the TV power to ON.
2. To rotate antenna, pull down on rotating knob with both hands until it disengages the ceiling plate. With the booster OFF, turn the antenna for the best picture and sound. If you can't get a "good" picture with booster off, turn on the booster. Do not rotate antenna except in the full UP position.
3. To lower the antenna, first rotate it to align the pointer on the ceiling plate. Then turn the crank toward the down position; stop when resistance is felt. Never lower antenna to any position without first aligning pointer.
4. **Do not force antenna.**

Appliances



TV Antenna Operation

WARNING

Do not raise antenna near overhead electric wires as contact may cause serious injury.

SATELLITE DISH ANTENNA

(If Equipped)

The roof-mounted satellite dish antenna is designed for reception of digital satellite television signals.

Before traveling, remember to lower the antenna and secure it to prevent damage to the antenna, motor home roof, or objects in the path of the antenna, such as overhead wires. **Do not travel with the antenna raised.**

TELEPHONE JACK

A telephone jack is conveniently located in the front under the dash on the passenger's side. The park connection point is located near the rear on the roadside sidewall.

MICROWAVE OVEN *(If Equipped)*

The microwave oven is powered by 120-volt AC power and will only operate when connected. A wall receptacle for the microwave is located in the overhead cabinet adjacent to the microwave cabinet.

WASHER/DRYER-READY OPTION

If your RV is equipped with an electric dryer-ready option, and if an electric dryer is installed in the future by either you, your dealer or another appliance installer, the installation must comply with the following instructions:

1. The clothes dryer moisture-lint exhaust vent duct must not be connected to any other duct, vent, or chimney.
2. The exhaust duct must be of sufficient length so as not to terminate beneath the recreation vehicle.
3. The exhaust duct must not be connected with sheet metal screws or other fasteners that extend into the interior of the duct.
4. The exhaust duct and termination fittings must be installed in accordance with the appliance manufacturer's printed instructions.

MISCELLANEOUS APPLIANCES

You may have additional appliances in your unit which operate only when connected to 120-volt power from either a public utility or the generator.

In some cases, appliance selector switches are provided in the galley to allow you to select combinations of appliances yet still remain within the power capacity of the electrical system.

Your motor home has been designed to provide you with many years of use with a minimum amount of maintenance. This section will familiarize you with the areas of your motor home that require scheduled care. Time spent taking care of your motor home on a regular basis will pay for itself in extended service and will help protect your investment.

If you are mechanically inclined and regularly perform routine maintenance and repairs on your car or truck, you may want to do the mechanical work on your motor home yourself. If you prefer, your dealer can perform these services for you. His trained personnel will assure that your motor home is maintained and repaired in keeping with original performance expectations.

This section is intended to provide the owner and operator with a general overview of service and maintenance information for the motor home. Detailed service and maintenance information may be found in the owner's/operator's manuals contained in the *Owner's Information Package*.

While the information in this section is intended to establish proper maintenance and inspection procedures, there may be times when detailed diagnostic and repair procedures may be required. Consult your dealer or an authorized Fleetwood Service Center in these situations.

EXTERIOR

Some exterior parts of your motor home are made of fiberglass. The finish on these parts is durable, but not indestructible. Any material and finish will deteriorate in time. Exposure to sunlight, moisture and airborne pollutants can cause dulling and fading of the finish. Generally, changes in the finish due to weathering are cosmetic - they are on the surface of the part and do not affect its strength. Weathering can take the form of chalking, fading and yellowing.

The best insurance against these effects is routine maintenance. If the finish is not washed and

waxed thoroughly, the surface can deteriorate rapidly. The following maintenance guidelines can help you reduce these weathering effects:

1. When the motor home is not in use, keep the fiberglass surfaces out of the sun or covered with a canvas tarpaulin. Avoid using plastic or other nonporous materials which can trap moisture between the cover and the fiberglass surface.
2. Wash the exterior with a mild soap. Avoid strong alkaline cleaners and abrasives. For the best results, use a cleaner formulated for fiberglass, and follow the directions for using the cleaner. **DO NOT use automatic dishwasher detergent, abrasives, bleaches, strong chemicals with acids/bases, or ammonia.**
3. Wax the exterior at least once a year - twice, if possible - with a wax formulated for fiberglass. When waxing, always read and follow the instructions and precautions on the container. Some cleaners and waxes are recommended for use on only certain types of surfaces. As with automobiles, covered storage yields best results for longevity of exterior appearance and ease of maintenance.
4. In some cases, a light rubbing compound, finishing material, or other product advertised to restore fiberglass, may be required. Always follow the manufacturer's instructions. Always use a high-quality wax after treatment.

Stains

Stains are generally caused by two types of substances - water soluble and non-water soluble. Water soluble stains can usually be washed away with water and mild detergent. Follow the washing with wax.

Non-water soluble stains are usually oil-based. Removal of this type of stain may require the use of highly flammable or poisonous solvents. Refer this type of service to your dealer or an authorized Fleetwood Service Center. Never use strong solvents or abrasives to clean plastic surfaces.

Maintenance

Exterior Graphics Care

The pressure sensitive graphics installed on the exterior surfaces of your motor home require little maintenance and should be treated similarly to a painted surface. Here are some guidelines to help you keep your exterior graphics looking like new.

1. Wash your graphics with any mild car wash soap solution. Be sure to rinse thoroughly.
2. Keep high-pressure wash nozzles at least 1½ feet from the edge of the graphics. High pressure spray may cause the edge of the graphic to lift and peel away from the wall surface.
3. Test any cleaning solution on a small section of the graphic before using the cleaning solution on a larger surface.
4. Do not use any aromatic solvents such as acetone, MEK, toluene, paint thinner, lacquer thinner on your graphics. Any solvent of this type may soften or smear colors.
5. Do not paint over the graphics with clear or any other type of paint.
6. Do not let gasoline or other fuels drip or stay on graphics for any length of time. If a spill occurs, wipe off and rinse with water immediately.
7. Do not apply wax over graphics, especially if the wax contains any petroleum distillates. Wax that has dried between stripes can be removed by softening it with rubbing (isopropyl) alcohol and cotton swabs. Be sure to rinse the area after cleaning.
8. Be careful when storing your motor home. The graphic materials should be protected from prolonged direct sunlight and heat.

Windows, Doors, Vents and Locks

Keep moving parts, hinges and latches adjusted and maintained. Lubricate with a light oil at least once a year. Check and tighten the screws holding the windows in place as required. Clean screens by gently wiping with a damp cloth or soft flat brush. Not all screens are removable.

Inspect the sealants around doors and windows every three months. *See Sealant Renewal section.*

Lubricate locksets in doors and exterior storage compartments at least annually with powdered graphite. If the motor home is located at a beach or is exposed to salt air, more frequent lubrication may be required.

TPO ROOF SYSTEM

Cleaning

Your new motor home is equipped with a new roof material called TPO (thermoplastic olefin). For normal cleaning, standard household detergents or cleansers may be used. Use a nonabrasive, common household detergent and plenty of water. Be sure to keep the sidewalls wet to reduce streaking. For persistent, stubborn stains, use a whitewall tire cleaner. Follow directions on the cleaner container.

Care

The TPO roof itself does not require annual coatings or additional sealants. Periodic washing with soap and water is all that is required.

The TPO roof material can be cut by sharp objects. Use caution when loading sharp articles on the roof. If you add accessories or new equipment on the roof, be sure the installer is qualified to work on the TPO roof material. This is required under the terms of the warranty.

Repair kits are available through your dealer. The roof requires special adhesives and material. Do not use silicone sealants.



The TPO roof material is slippery when it is wet.

Sealant Renewal

This section outlines the procedures *you must* follow to maintain the weatherproof integrity of

your motor home. Leak damage caused by failure to inspect and maintain the roof, vents, TV/satellite antenna and molding seals may affect your warranty coverage.

The adhesives and sealants used in the construction of your motor home were developed to remain waterproof under sustained effects of weather and vibration. However, even the finest materials will eventually dry out and lose their effectiveness.

✓ NOTE

Failure to seal could cause serious damage and will affect your warranty coverage.

Your dealer can perform the resealing inspection and work for you. Your dealer also has current information on sealants used in your motor home, and can recommend the appropriate sealants for you if you prefer to do this work yourself. Always use the recommended sealants.

Door, Window, Roof Component and Molding Resealing

Inspect the sealants around windows, floors, joints and doors at least every three months. Also inspect roof vents, other roof components, moldings at front and rear caps, and perimeter molding. If any of the following defects are evident during inspection, the affected areas must be resealed.

- Sealant cracked or peeling.
- Void or missing sealant.

If you find any of the above defects:

1. Clean all areas to be resealed with an appropriate cleaner and clean rags.
2. Make sure that all areas to be resealed are absolutely dry before new sealant is applied.

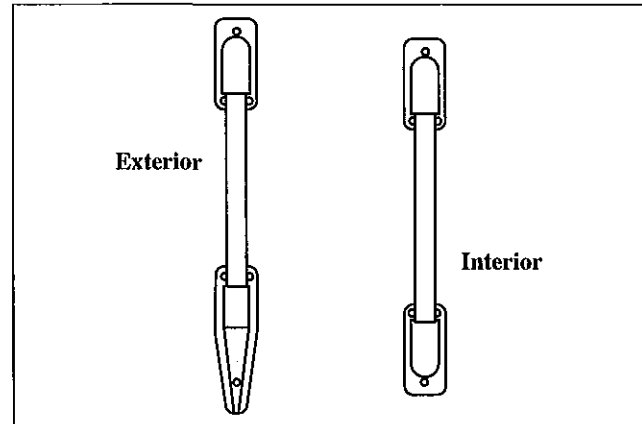
✓ NOTE

Do not seal the bottom flanges of windows and doors. Special gaps in the sealant have been intentionally left in the bottom flange to provide drainage.

ACRYLIC ASSIST HANDLES (If Equipped)

Do not use any cleaners that contain ammonia, petroleum, ammonia based, or petroleum based products. Most glass cleaners are ammonia based. Most tar removers are petroleum based.

Wash Assembly with **MILD SOAP AND WATER ONLY!**



INTERIOR

Fabrics

Interior appointments such as draperies, bedspreads, mattress covers, upholstery and wall pads are manufactured from high quality materials and should be dry cleaned only. Frequent vacuuming will keep them free of dust and dirt. Minor spills should be cleaned up quickly to avoid staining. The affected area should be blotted, not rubbed, to prevent the stain from working deeper into the fabric.

⚠ WARNING

Do not use lacquer thinner, nail polish remover, carbon tetrachloride, spot remover, gasoline, or naphtha for any cleaning purpose. These products may cause damage to the material being cleaned, and may be highly flammable or poisonous.

Solid Surface Top Care (If Equipped)

The counter top is constructed of a solid surface material that requires little care. Routine care

Maintenance

involves wiping the surface with a damp cloth to remove water marks. For stains, wipe with soapy water or ammonia-based cleaners. Remove stubborn stains on the "matte/satin" finish with an abrasive cleanser.

Laminate Top Care (If Equipped)

For cleaning laminate surfaces, use mild dishwashing liquid with warm water. Use a soft cloth for both washing and drying.

Do not use abrasive cleaners, steel wool, or gritty cleaners or damage will occur to the surface.

Walls and Ceiling Panels

The paneling and the ceiling of your motor home may be any of several finishes and textures. Never use harsh detergents or abrasive cleaners on walls or ceilings. Most surfaces will clean with a soft cloth moistened with mild liquid detergent in warm water, or a clear window cleaner solution. Do not scrub the surface or use large amounts of water which could saturate the material. Simply spray or apply the solution to the spot and blot with a clean dry rag or paper towel. Aggressive scrubbing may damage the texture or pattern.

Attaching Accessories to Your Motor Home

The sidewalls of your motor home are built with a dense fiber and polymer panel or rigid wood panel used as a substrate to the exterior fiberglass or interior finish surface.

Structural members are located specifically to mount and attach factory-installed components and accessories, and may not be located to accommodate after-market accessories not specifically designed for use on or in your motor home.

Exterior: Please consult with your dealer before attempting to install or mount accessories on the sidewalls or roof of your motor home. **Holes**

drilled in the sidewall may cause damage, and may affect portions of your warranty.

Interior: If you want to attach items to the interior walls, **YOU MUST USE RIVETS.** The rivets can be installed with a hand-operated tool such as the Arrow E-Z Pull Model RH200. This and similar tools are available in most hardware stores and home improvement centers.

When you install a component, carefully mark the hole location and drill a 3/16" hole where the rivet is to be located.

If you need rivets, contact your Fleetwood dealer.

CAUTION

Do not use any type of screw to attach items to the interior or exterior walls of your motor home. If you want to attach items to the walls, you must use expanding head type rivets. Rivet quantity, length, and grip range, will vary depending on item to be attached.

Plastic/Fiberglass Shower Stall

Some cleaners attack the plastic causing it to discolor and become brittle. The following cleaners have been tested and approved when mixed with water:

- Distilled vinegar
- Mild dishwasher detergent
- Liquid deodorizing cleaner.

Avoid cleaners that contain any amount of abrasives, acetone or MEK (methyl ethyl ketone).

Floors and Carpeting

Vinyl flooring requires only washing and periodic waxing. Vacuum carpeting regularly, and clean it with a quality carpet cleaner. Do not use water or waxes mixed with water on the wood floor.

Wood Floor (If Equipped)

Floors are natural resting places for dust, dirt, grit, and food spills. Dirt underfoot causes abra-

sions. Therefore, keep the floor clean and use exterior walk off mats at the entry door, and:

- Immediately blot up spills or spots with a damp cloth.
- Periodically clean the floor with Anderson Quick Kleen. Follow the instructions on the container.

Your wood floor can be damaged by a number of things, including:

- Water - Do not wet mop the wood floor
- Oil soap or other waxes and polishes
- Ammonia cleaners
- High heel shoes

Engine Access

The top of the engine may be accessed from inside the motor home for service by lifting or removing the engine cover.

WARNING

The interior engine cover is heavy. Use care when opening or closing the cover.

WARNING

When installing the engine cover, be sure the cover is fully seated on the gasket seal and secured by the clamps. Do not allow insulation, carpeting, or other material to interrupt the seal between the cover and the engine compartment. If the engine cover is not installed correctly, engine exhaust gases could leak into the passenger compartment creating a safety hazard. If the engine must be run with the engine cover off for maintenance purposes, be sure the vehicle interior is adequately ventilated.

EXTERIOR SEALANTS

Consult your Fleetwood Motor Home dealer for the most current sealant use.

- Windshield
- Window sealant
- Roof sealant

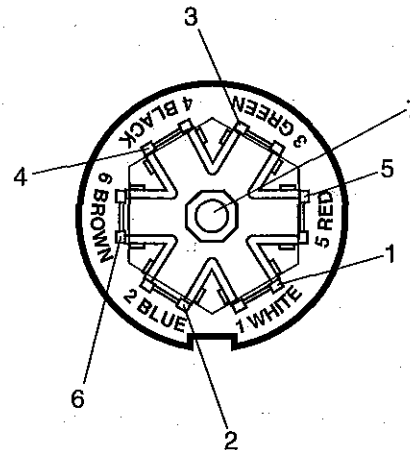
GENERATOR FILTERS

Consult your Fleetwood Motor Home dealer or see the **Onan Service and Parts Directory** in your *Owner's Information Package*.

- Oil Filter
- Fuel Pump Filter
- Element Fuel Filter

TRAILER HITCH CONNECTOR WIRING

Trailer Hitch Electrical Connector
(View is looking at the connector on the RV from the wire harness end. Plug must be removed from housing to view legend.)



Terminal No.	Circuit Connection
1	Ground
2	Electric Brake*
3	Tail/Clearance
4	Battery Charge
5	Left Turn/Stop
6	Right Turn/Stop
7	Spare

*This circuit is provided to allow the use of a controller for electric brake actuation of a towed trailer or vehicle.

NOTE

Due to manufacturing differences between products, wire color coding may be different than terminal colors indicated.

Maintenance

MAINTENANCE GUIDELINE

For your convenience, a maintenance guideline is presented. Options and accessories usually have their own owner/user manuals that often contain maintenance instructions. Consult these

manuals as required. *Modify any suggested maintenance schedule as use conditions or performance requires.*

	A	B	C	D	E	F	G
Wash exterior	●						
Wax exterior					●		
Lubricate and adjust exterior locks, hinges, roof vents, window mechanisms, etc.					●		
Lubricate power step mechanism	●						
Lubricate TV antenna				●			
Check all exterior sealants, around windows, doors, sidewall seams, windshield, lamps, all exterior openings and roof components. Re-seal if necessary.			●				
Inspect and clean fuel-fired appliance vents: Water heater, refrigerator, furnace.	●						
Inspect and clean water pump filter					●		
Inspect all hot, cold drain plumbing					●		
Inspect, test, and service safety equipment, fire extinguisher, LP gas*, CO* and smoke* detectors/alarms, and GFI receptacles.	●						
Complete LP gas pressure check and system check					!		
Service appliances and equipment: refrigerator, roof air conditioner, furnace, generator, etc.						●	
Inspect generator exhaust system	●						
Inspect LP gas system components	●						
Sanitize fresh water tank					●		
Clean drapes and interior fabrics				●			
Check exterior lamp operation	●						
Check slide-out room function and sealing (if equipped)	●						
Chassis (refer to chassis operator's manual)							●

*Annual battery replacement for safety detectors/alarms is recommended regardless of battery condition. Items marked with ! require special equipment and/or qualified personnel.

A - Each Trip or Monthly

B - Weekly

C - Every 3 Months

D - Every 6 Months

E - Each Year

F - At Specified Mileage or Interval

G - At Specified Mileage for heavy Duty Service

STORAGE CHECKLISTS

The following checklists will help you perform the steps necessary to prepare your motor home for storage. Use the checklist that applies to the storage conditions you anticipate.

These checklists do not include every detail required, and you may want to expand them to suit your needs. Contact your dealer for additional suggestions suitable to your climate and storage conditions, particularly extremes of hot and cold.

Short-Term Storage (Less Than 60 Days)

1. Wash the motor home exterior and underside. Hose off accumulations of mud and road salts.
2. Thoroughly clean the interior of the motor home, including carpets, counter tops, lavy, tub and shower, and galley.
3. Inflate tires to maximum rated cold pressure.
4. Park the motor home as level as possible front to rear and side to side. Block wheels front and rear. Put transmission in park and set the parking brake.
5. Check the charge in the battery. Recharge as necessary.
6. Disconnect battery cables. Refer to *Chassis Operator's Manual* for proper removal and installation sequence. Clean terminals, top and sides of batteries and battery boxes. Reinstall cables, dress with a battery terminal spray.
7. Use battery disconnect switch/es, if equipped.
8. Drain black, gray and potable water tanks.
9. Winterize, if appropriate. (See *Winterization* section in this manual.)
10. Turn off water pump and water heater switches.
11. Turn off LP gas at tank valve.
12. Turn off refrigerator and furnace.
13. Turn off range and oven burner valves and pilot valves (if equipped).
14. Remove all perishables from refrigerator and galley cabinets. Block refrigerator door(s) open to reduce odor buildup. An open box or tray of baking soda in the refrigerator will help absorb odors.
15. Open closet doors, drawers, and cabinets so air can circulate.
16. In warm or hot climates, slightly open (suggested - 1/4") roof vents for ventilation. In cold climates, close and cover all vents to prevent entry of snow, etc.
17. Close and lock all windows. Be sure vent fan and range hood fan switches are off.
18. Cover exterior appliance vents (water heater, furnace, range hood, refrigerator) to prevent insects from getting in. Be sure to remove all covering material before using appliances or vents.
19. Cap or close holding tank drain, city water inlet and fresh water fill spout.
20. Turn off all radios, TVs, interior and exterior lights.
21. Close curtains and/or mini-blinds, and pull shades.
22. Disconnect and store the 120-volt power cord.
23. Cover tires with cloth, plywood, or after-market tire covers.
24. Prepare generator. Refer to generator operating manual included in your *Owner's Information Package*.
25. Run the engine for about 15 minutes every 30 days. Turn the vehicle air conditioner ON during this run. Check engine oil, transmission fluid and coolant levels.

Storage

Long-Term Storage (Over 60 Days)

1. Perform all steps as required for short-term storage.
2. Run chassis engine to normal operating temperature. Operate automotive air conditioner(s) to lubricate compressor seals. Drain engine oil, replace filter, refill engine with fresh oil.
3. Remove windshield wiper blades and store inside the motor home.
4. Charge and remove both the chassis and house battery(ies). Store in a cool, dry place, and check the charge and water level every 30 days. If the specific gravity is being checked, recharge the battery when it drops to 1.220. With the advent of computer controlled engine and transmission management systems certain procedures must be followed whenever the chassis battery is disconnected or replaced. Please refer to your *Chassis Operator's/Owner's Guide/Manual* for any instructions supplied by the chassis manufacturer with respect to this subject.



NOTE

If your motor home is equipped with a solar battery charger, it will trickle charge both house and chassis batteries. The battery disconnect switch must be ON for the solar charger to charge the batteries.

5. Remove, clean and replace roof air conditioner filter(s). Cover the air conditioner shroud(s).
6. To help preserve the tires, park each tire on a piece of plywood about 12 inches square.
7. Cover the windows on the inside with foil, cardboard, paper, etc., to reduce curtain, drape, and carpet fading.
8. Remove batteries in battery-powered devices.

9. During extended periods of storage, gasoline may deteriorate due to oxidation. This can damage rubber and other materials in the fuel system. It may also clog small orifices. Commercially available gasoline fuel stabilizers should be added whenever actual or expected storage periods exceed 60 days. Follow the additive manufacturer's instructions. Operate the vehicle regularly during the storage period to mix and circulate the anti-oxidant agent throughout the fuel system.
10. Check tire inflation pressures every 30 days. Maintain maximum rated cold inflation pressure.
11. Check the sealant around all roof, floor and body seams and windows. Reseal if necessary. See *Sealant Renewal* section.
12. Lubricate all locks and hinges as described in the *Maintenance* chapter.
13. Remove high grass or weed growth if coach is parked on dirt.

WINTERIZATION

Thoughtful planning and preparation for the winter season can help eliminate equipment failures and breakdowns, and can extend the life of your motor home and its systems. Your dealer can advise you concerning specific winterization procedures and products for your climate area or the areas through which you will be traveling. Your dealer may also provide winterization service for all appliances and systems in the motor home. The following is a check list if you prefer to perform these procedures yourself:

1. Check engine coolant level and antifreeze protection. Drain and flush engine cooling system and add antifreeze per the chassis operator's manual.
2. Service and winterize the generator as outlined in the generator operating manual included in your *Owner's Information Package*.

3. Winterize the LP gas system. Your LP gas dealer or service station will perform this for you.
4. Winterize all appliances as outlined in the individual operator's manuals.
5. Remove snow accumulations as often as possible.

Water System Winterizing

Read this section completely before performing winterization.

CAUTION

Draining the water system alone will not provide adequate cold weather protection. If the motor home is to be unheated during below freezing temperatures, consult your dealer for the best winterizing procedure for your climate. Your dealer can winterize your motor home for you or can supply you with one of the special antifreezes which are safe and approved for use in RV water systems. Follow the instructions furnished with the antifreeze.

WARNING

Do not use automotive or windshield washer antifreeze in the motor home water system. These solutions may be harmful if swallowed.

1. Remove water filter cartridge, if equipped, and install the winterizing adapter.
2. Drain the fresh water tank by opening the water tank drain valve. Close valve when drained.
3. Turn water pump on (12-volt power must be on).
4. Open a cold water faucet. When the flow of water stops, turn the pump off.
5. Open water faucets, then open the drain valves on HOT and COLD water pipes. Leave these valves open.
6. Drain the water heater by opening the drain plug at the bottom of the heater and the safety valve at the top.

7. Flush the toilet. Operate toilet sprayer, if equipped.
8. Drain the shower head by opening the valve. Let all water drain out the tub spout. Leave the valve open.
9. When each faucet has been drained, close all faucets, water line drain valves and the fresh water tank drain valve, install the water heater plug and close the safety valve.
10. Drain the waste water system by following the normal procedure for draining the holding tanks. (See *Plumbing* chapter).
11. Apply silicone lubrication to the knife valve actuator rod(s).
12. Be sure ALL water from ALL plumbing fixtures has been drained.
13. Close holding tank drain valves.
14. Pour approximately five gallons of approved non-toxic antifreeze into the fresh water tank.
15. Turn the water pump master switch ON.
16. Open each water faucet, run the water pump and let about a cup of antifreeze solution flow continuously through each faucet. Close each water faucet.
17. Flush the toilet until the antifreeze solution flows continuously. Release flush mechanism.
18. Your vehicle is equipped with a water heater bypass. Winterize the hot water lines by opening each hot water faucet, allowing antifreeze solution to flow continuously, and then close each faucet. This will require considerably more antifreeze solution, and you may choose to do this step before winterizing the cold water lines so you can recycle the solution.



NOTE

When filling the plumbing systems with antifreeze, be sure to open and operate all fixtures and valves allowing the antifreeze solution to flow freely.

Storage

19. Pour one cup of antifreeze solution down each drain.
20. Install all protective caps:
 - Water tank fill
 - City water inlet cap
 - Waste tank drain outlet cap
21. If your refrigerator is equipped with an ice maker, winterize it as follows:
 1. Shut off the water supply valve to the ice maker.
 2. Place a shallow pan under the water solenoid valve.
 3. Remove the inlet fitting to the ice maker water solenoid valve. Drain the water from the supply line.
 4. Remove the plastic nut and water line from the outlet side of the water solenoid valve. Drain water from the line.
 5. Cycle the ice maker several times while blowing compressed air through the water solenoid valve. Be sure all water is out of the solenoid. **NOTE: Your motor home dealer can do this for you.**
 6. Reconnect and tighten the lines on the solenoid valve. Leave the water supply turned off until temperatures are above 32°F/0°C.
 7. Dry out the ice maker mold assembly with a soft cloth. Place the bail arm to the **UP/OFF** position.
1. Thoroughly inspect the outside of the vehicle. Look for animal nests in wheel wells, under the hood, in air cleaner or in other out of the way places.
2. Remove all appliance vents, ceiling vent and air conditioner coverings. Be sure all furnace, water heater, and refrigerator openings are clear and free of debris or insect nests, webs, etc.
3. Open all doors and compartments. Check for animal or insect intrusion, water damage, or other deterioration.
4. Check all chassis fluid levels — engine oil, engine coolant, power steering fluid, brake fluid, transmission fluid, rear axle oil.
5. Check charge level in batteries. Refill and recharge as necessary. Reinstall batteries if necessary. Be sure cable ends and terminals are clean and free of corrosion. Check *Chassis Operator's/Owner's Guide/Manual* for any instructions on resetting chassis computer after battery is reinstalled.
6. Check tire pressures. Inflate to specified cold pressure.
7. Remove covering from inside windows.
8. Open vents and windows for ventilation.
9. Be sure engine instruments indicate proper readings. Run engine up to operating temperature. Shut engine down. Check all fluids. Top up if necessary.
10. During engine run, check the operation of headlights, tail-lights, turn signals, backup lights, clearance lights, license plate light, emergency flashers. Operate the vehicle air conditioner. If air conditioner does not work, or unusual sounds occur, have the system checked by a qualified air conditioner technician.
11. Drain, flush, and sanitize the fresh water system as outlined in the *Plumbing* chapter.
12. Install a new water filter cartridge (if equipped).

REACTIVATING THE MOTOR HOME AFTER STORAGE

If the motor home was properly and carefully prepared for storage, taking it out of storage will not be difficult. The following procedure check list assumes that you stored the motor home with care. If you didn't, and extensive freeze damage or other serious deterioration has occurred, please consult your dealer or an authorized Fleetwood Service Center for advice.

13. Operate all faucets and fixtures in the fresh water system. Check for leaks at all joints and fittings. Repair if necessary making sure the water heater bypass is open.
14. Check operation of 12-volt circuit breakers and inspect fuses. Replace as necessary.
15. Operate all 12-volt lights and accessories.
16. Install new batteries in battery-operated devices. Check operator's manual for each device for any additional requirements.
17. Test carbon monoxide, LP gas and smoke detectors/alarms.
18. Check monitor panel operation.
19. Operate vents and vent fans, including the range hood fan.
20. Inspect the 120-volt electrical system – power cord, converter, all outlets, and any exposed wiring. If defects are found, refer service to your dealer or an authorized Fleetwood Service Center.
21. Prepare the generator for operation following instructions in the generator operating manual in your *Owner's Information Package*.
22. Start and run generator.
23. Operate 120-volt appliances and air conditioner(s). Be sure to uncover air conditioner shroud(s).
24. Inspect the LP gas system and check for leaks as described in the *LP Gas System* chapter. If the LP gas tank shows signs of rust or corrosion, have it inspected by a qualified LPG technician.
25. Operate each LP gas appliance. Have the LP gas regulator adjusted for proper pressure by a qualified technician.
26. Inspect and clean the interior.
27. Check the sealant around all roof, floor and body seams and windows. Reseal if necessary. See *Sealant Renewal* section.
28. Lubricate all exterior locks, hinges, and latches.
29. Reinstall windshield wiper blades or remove protective covers. Check wiper/washer operation.
30. Wash and wax the exterior. Inspect the body for scratches or other damage. Touch up or repair as necessary. Flush the underside thoroughly.
31. Run thorough operational checks of steering, brakes, engine and transmission. Operate vehicle slowly during these checks to allow sufficient circulation of fluids and reseating of components.

Your motor home should now be ready for a new traveling season. If you choose, your dealer can double check your preparation and repair any problems or make any necessary adjustments.

This page intentionally blank.

GLOSSARY

AC Inverter - An electronic device that changes 12-volt DC energy from the batteries to 120-volt 60-cycle, AC energy to operate microwave ovens, TVs, VCRs, or other appliances that require 120-volt 60-cycle power.

Belted Seating Positions - These are seats with seat belts. Anyone riding in the motor home must use one of these seats any time the motor home is in motion.

Black Water Tank - The water tank in your plumbing system that is designed to contain waste water from the toilet ONLY.

CCC (Cargo Carrying Capacity) - Is equal to GVWR minus each of the following: UVW, full fresh (potable) water weight (including water heater), full LP gas weight and SCWR.

CAUTION - Any statement in this *Owner's Manual* that, if not followed, could result in damage to the vehicle or components.

Chassis Operator's/Owner's Guide/Manual - This is the operating and maintenance manual supplied by the chassis manufacturer. It is part of your *Owner's Information Package*. It contains information on operating and maintaining the engine, transmission, drivetrain and other components of the motor home chassis.

Clearance Lights - This switch will flash the clearance lights and is useful when signalling other large vehicles when passing or being passed.

DC Converter - An electronic device that changes 120-volt AC energy from the main power connection or the generator to 12-volt DC energy to operate the 12-volt interior lights or other 12-volt DC appliances or accessories.

Designated Seating Capacity (Canadian units only) - The number of sleeping positions designated equals the seating capacity.

Doorside - The right side of the motor home from the driver's point of view. So named because the main entry/exit door is on this side.

FIN (Fleetwood Identification Number) - This is the number that identifies your motor home as a Fleetwood product. Use this number when ordering parts or requesting warranty service for your motor home.

GAWR (Gross Axle Weight Rating) - The maximum permissible loaded weight a specific axle is designed to carry.

GCWR (Gross Combined Weight Rating) - The value specified by the motor home manufacturer as the maximum allowable loaded weight of this motor home with its towed trailer or towed vehicle. Towing and braking capacities may be different. Refer to Fleetwood and the chassis manufacturer's manuals for complete information.

Gear Preselection - The selection of a lower gear to match the driving conditions you encounter or expect to encounter. Preselection will give you better control on slick or icy roads and on downgrades. Downshifting to lower gears increases engine braking. The selection of a lower gear often prevents cycling between a gear and the next higher gear on a series of short up-and-down grades.

GFCI (Ground Fault Circuit Interrupter) - An electrical device attached to the bathroom AC circuits that disconnect the outlet if a problem occurs in the ground circuit.

Gray Water Tank - The water tank in your plumbing system that is designed to contain waste water from the sinks and shower drains ONLY. No toilet wastes go into this tank.

GTW (Gross Towing Weight) - Is the maximum loaded weight of a trailer or car this motor home, with equipped hitch, has been designated to tow. GTW cannot be increased by changing the trailer hitch.

Glossary

GVWR (Gross Vehicle Weight Rating) - Is the maximum permissible weight of this fully loaded motor home. The GVWR is equal to or greater than the sum of the Unloaded Vehicle Weight plus the Cargo Carrying Capacity.

Hitch Rating - Means the maximum allowable weight of a towed trailer or towed vehicle. The GCWR of the motor home must never be exceeded, even if the weight of the towed trailer or towed vehicle is less than the hitch rating.

Monitor Panel - An electronic device that allows you to conveniently measure the approximate levels in the fresh water, gray and black water tanks. You can also check the charge in the battery/batteries.

MTW (Maximum Tongue Weight) - Is the maximum permissible downward force exerted on the hitch ball by the towed vehicle coupler.

NOTE - A statement or instruction in this Owner's Manual with information to help you use the vehicle or equipment more efficiently, such as a tip.

Owner's Information Package - This is a package of papers, manuals, warranty and instruction cards, and other material put together for you by Fleetwood. These materials contain operating and maintenance instructions for most of the components and appliances in your motor home.

Ownercare Card - The card that has your name and vehicle ID (VIN) embossed on it. Use this card when you request or need warranty service. Please note that this is NOT a credit card. You cannot purchase anything with it. It is used only to identify you and your motor home.

Park Cable - The F-style video connector that allows you to connect to an outside television signal source, such as the cable TV feed at an RV park, or any other 75-ohm video source. This connector usually carries an RF modulated signal.

Park/City Water Connection - The "garden-hose" style connector that allows you to connect to an outside pressurized water source.

Power/Shore Cord - This is the main power cord coming into your motor home electrical system. You connect it to 120-volt AC power at a park or campsite.

Roadside - The left side of the motor home from the driver's point of view. So named because, at least in North America, the "road" outside the vehicle is usually on this side.

SCWR (Sleeping Capacity Weight Rating) - Is the manufacturer's designated number of sleeping positions multiplied by 154 pounds (70 kilograms).

MTW (Maximum Tongue Weight) - The maximum permissible downward force exerted on the hitch ball by the towed vehicle coupler.

UVW (Unloaded Vehicle Weight) - The weight of the motor home, as built at the factory with full fuel, engine oil and coolants. The UVW does not include cargo, fresh water, LP gas, occupants or dealer installed accessories.

Note: Canadian UVW includes designated seating, LP and water.

VIN (Vehicle Identification Number) - The legal, 17-digit vehicle identification number as shown on the vehicle registration certificate.

WARNING - A statement or instruction in this *Owner's Manual* that, if not followed, could lead to personal injury or death.